



PRODUCT SELECTION DATA



- Easy installation
- Central air diffusion
- Low Energy Consumption
- Improved comfort
- Elegant air inlet grille
- Extremely quiet operation

Hydronic Cassette Fan Coil Units

42GW

IDROFAN.

42GW

Nominal cooling capacity 1.5-8.7 kW

Nominal heating capacity 1.3-11.6 kW

The new Carrier Idrofan cassette 42GW_AC/LEC offers a modern solution for a wide variety of small and medium-sized commercial and residential applications. It is ideally suited for large offices, shops, restaurants and bars, hotel receptions, meeting rooms, banks, laboratories, showrooms, etc.

The new product series incorporates innovative technologies, resulting in a product that is easy to select with fast, simple and economical system installation.

Features

- The 42GW_AC is available with a new-generation three speed AC motor. The 42GW_LEC is available with a variable-speed Low Energy Consumption EC motor.
- The 42GW is normally installed in suspended ceilings and offers two, three or four way air distribution. The units maintain precise temperature and humidity conditions preventing draughts and stale air zones.
- The elegant air inlet grille blends aesthetically with any room decor.
- The Carrier hydronic cassette is available in six sizes suitable for a wide range of applications, with air flows from 100 to 402 l/s (360 to 1450 m³/h). The Idrofan cassette offers an ultra-low-noise solution for applications where a low noise level is the most important selection parameter.

General features

- The low-profile 42GW is light and easy to install. The small chassis fits neatly with standard ceiling tiles and is simple to install wherever it is needed.
- Four-way air distribution gives individual comfort while for localised control each diffuser may be adjusted or even shut down completely.
- Integrated, factory-mounted cooling and heating coils, two-pipe or two-pipe with electric heater, and four-pipe applications.

Designed for silence

- The 42GW units were designed for extremely quiet operation with sound levels that set new comfort standards for buildings. The unique Carrier design of the centrifugal fan ensures extra-quiet operation.
- The new fan/motor assembly design ensures whisper-quiet operation, two times less than the previous generation. Particular attention has been given to the low fan speed.
- The special design of the diffuser ensures rapid blending of the supply and room air. Conditioned air is directed along the ceiling then evenly distributed throughout the room. Return air enters the cassette unit through a large grille. It is then cleaned by an easily removable, washable synthetic filter, treated and recirculated.

Motors

- The Idrofan cassette is available with a three-speed AC motor, with ultra-low noise levels to make it one of the quietest cassettes on the market.
- The Idrofan cassette is also available with variable-speed LEC (Low Energy Consumption) EC motors, that meet the new building energy performance objectives. The LEC solution enhances unit performance offering:
 - Reduced energy costs - the LEC motor reduces cassette power consumption by 50 to 75%. The LEC option meets the new building energy management regulations.
 - Improved comfort - the LEC motor with variable fan speed reduces operating noise levels compared to multi-speed fans, offering ultra-quiet air flow down to very low operating levels. With the NTC controller, a maximum fan speed can be set to allow better sound level management.
 - Maximum flexibility - auto-adaptive air flow rate adjustment from 0 to 100% ensures perfect cooling and heating conditions in the room.
 - Extended life time - LEC motors with brushless technology use a lower fan motor temperature for extended operating life.

Filters

- The standard filter for the Idrofan cassette range has a pleated filtration surface, resulting in a 87% larger surface than a conventional filter, with the following additional advantages:
 - Lower air flow per unit area, resulting in lower pressure drop and reduced noise level.
 - The average interval between filter cleaning is three times longer, compared to standard filters.
 - The filter material is polypropylene and the grade is EU1.
- In the Idrofan cassette range the filter is located inside the grille of the unit. Cleaning cannot be easier: the filter can be manually unclipped from the grille support. The filter frame is pulled down and the filter can then be removed easily. Re-assembly is just as easy, reversing the sequence. Washable filters are supplied as standard.



Drain pump

- High-performance autonomous condensate drain pump encased in a special sound-insulating material for improved fast and quiet condensate removal.
- The main Idrofan cassette drain pan has been improved using the latest composite material for increased noise absorption, easier cleaning and coil drain water transfer to the drain pump.

Control box

- All units are equipped with a control box containing the terminal blocks. The box is positioned on the outside of the unit with a fuse for unit and control protection. The control box panel can easily be opened by simply removing one fixing screw. For wiring connection details, please refer to the appropriate wiring diagrams.



Carrier controller range

- The Idrofan cassette is available with the complete range of Carrier controllers. Several tests ensure easy installation. The number of available controllers offers more and enhanced features, and easy selection according to application needs.

Electronic thermostat A-B-C-D types

- Carrier electronic thermostat range is available for all Carrier hydronic terminals ranges:
 - Type A: Two-pipe application with AC motors
 - Type B: Four-pipe or two-pipe applications with electric heaters with AC motors
 - Type C: Two-pipe application with EC motors
 - Type D: Four-pipe or two-pipe applications with electric heaters with EC motors
- The thermostat for FCU with EC motors option is managing 3 configurable discrete speeds through 0-10 V signal.

- The thermostats have an elegant square shape with a coaxial knob to set room temperature and 3 buttons to set up fan speed, cooling or heating mode, and On/Off, as desired by the customer.
- Wall-mounted controls are easily and discreetly integrated in any room environment.
- The electronic thermostats set range is from 10 °C to 30 °C with the possibility to limit the temperature in public buildings where low energy consumption is a key requirement via a dip-switch inside the control (Cooling range 23 °C/30 °C, heating range 10 °C/21 °C).

The following Features are available as setting:

- **Auto fan:** The fan speed is automatically set by the control; when the room temperature is far from the set point, high fan speed is selected. As the room temperature approaches the desired value, the fan speed decreases until the minimum speed is reached.
- **Automatic changeover:** Automatic changeover from the cooling to heating mode, based on the water temperature, ensures that the ideal room temperature is maintained.
- **Remote changeover:** Automatic changeover from cooling to heating mode, based on the remote signal from the monitoring system.
- **Warm and cold draught protection:** This feature stops the fan when the set point condition is satisfied and the water temperature is too low or too high, ensuring that air that is too cold or too warm does not cause discomfort to the room occupants.
- **Air sensor:** This is unit-mounted – if the control is wall mounted, a second air sensor located in the control can be used for fine tuning of the desired room temperature.
- **Frost protection:** This function ensures that the room temperature is kept above a minimum level. If the unit is in off mode, and the room temperature drops below 7 °C, frost protection is enabled and the unit operates in heating mode until the temperature rises above 9 °C. At this point the unit is switched off again.
- **Booster heating management optimization (available with electric heater option):** If the water temperature is below 30 °C the system will work in the heat demand mode and the electric heater will be the only available heating source. If the water temperature is above 35 °C the system will work in the booster heating mode, energising the water valve and electric heater together. The booster heating function will be deactivated if the water temperature is above 45 °C (the electric heater will be de-energised).

- **Energy saving:** This feature allows saving energy when the room is unoccupied, without the need to switch off the unit. When the energy-saving button is pressed, the actual set point will be modified as follows, without changing the position of the set point selection knob:

- Cooling mode: Set point raised by 4 °C
- Heating mode: Set point lowered by 4 °C

The unit will resume normal operation, once the energy saving button is pressed again.

- **LED intensity:** For offices or light commercial applications, 10 seconds after the latest use of the user interface, all the necessary LEDs are lighted on at a reduced intensity. As soon as the user touches again the user interface, LED have to come back to normal light. In order not to disturb hotels customers, the thermostat can be configured from Night Mode to Dark Mode: 10 seconds after the latest use of user interface, all the LEDs are switched off. As soon as the user touches again the user interface, LEDs of the current condition are switched on with normal light.

- **Air sampling:** If no fan request is made and the Air sampling jumper is in ON position, the control performs the Air sampling function: the air is moved in the room, thermal stratification is reduced, ensuring a more reliable ambient temperature reading.

- **Continuous fan:** If there is no fan request and the Continuous fan jumper is in ON position, the control selects fan speed Low, Medium or High according to the fan-speed selection, regardless of thermal station conditions. If the fan is controlled in Auto fan mode and the control is not in the demand phase, the fan is permanently activated at Low speed.

- **External contact:** A high voltage input signal for external contact is present. If the external contact is activated, device behaviour depends on its configuration on site:
 - Presence detection (empty room with hotel door card), Energy saving mode is activated, internal temperature is raised by 4 °C in cooling mode and reduced by 4 °C in heating mode.
 - Window Contact: During OFF mode (window open), all outputs are disconnected (fan, valves, etc.) and only the frost protection function is active if it has been enabled by its corresponding dip-switch.

- **Master/Slave control:**

- Thermostat type A_AC and B_AC: the Control Board for grouping accessory (42N9006) is allowing fan speed relay only (water valves have to be wired/relayed separately) up to 300 units with control on Air temperature (no water valve), or 10 units 2 pipe with water control, or 5 units 4 pipe with water control

- Thermostat type C_EC and D_EC: The Thermostat EC motor version can control up to 10 LEC units by wiring in parallel the analogue 0-10 two-wires output signal (water valves have to be wired/relayed separately).

HDB (Hydronic Dual Board)

- This electronic thermostat allows master/slave operation. The master unit can manage up to 15 slave units. This controller can be used with a wall-mounted user interface or a remote end user control.

NTC controller

- This is a communicating PID controller, combining energy saving algorithms and full control function solutions, compatible with the Aquasmart Evolution system package.
- The NTC controller can manage the EC motor option, and combines energy savings with optimised comfort.

Valve options

- Valve body: both the two-way or four-way (three-way with integrated bypass) valve options are factory-fitted and tested. The chilled-water valves are fully insulated within a moulded insulating shell, preventing condensation on the valve body. This new shell reduces the complexity of the offer and prevents water leakage risk. Valves are factory-fitted on the unit side.



Moulded valve insulating shell

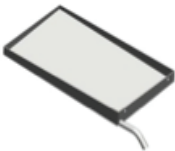
- Valve actuators: a wide choice of actuators is available with two or four-way valve bodies to offer the right solution for any controller type and customer requirement, from on/off to proportional types, with either 230 V or 24 V power supply:
 - On/off 230 V actuator
 - On/off 24 V actuator
 - Floating 3-point 230 V actuator
 - Floating 3-point 24 V actuator
- When combined with LEC motors and the NTC controller, floating three-point 230-V actuators are recommended to increase energy savings and enhance comfort.

Auxiliary drain pan

- An auxiliary drain pan is available as an accessory if the water valves, stop valves or balancing valves are customer-supplied. The auxiliary drain pan is not required with Carrier factory-fitted water valves, as they are factory-supplied with the valve body insulated (moulded insulating shell) to prevent condensation.



Auxiliary drain pan for compact 42GW_S/E 200/209, 300/309, 400/409 units



Auxiliary drain pan for large 42GW_S/E 500/509, 600/609, 701/709 units

Electric heater option

- Electric heater option is available only with 2-pipe coil versions. One heating capacity is available per Idrofan cassette size, factory-fitted to ensure safe and reliable operation.

Fresh air inlet option

- All units have connections for fresh air ducts that can considerably improve indoor air quality while fresh air volume is managed by the CO₂ sensor through NTC control.
- The fresh air flow must be less than 10% of the total air flow, to avoid operating problems and excessive noise. For higher air flow a primary air kit is available that uses the pre-punched hole for air ducting to an adjacent room and a baffle so that the fresh air is introduced into the room through a diffuser.

Supply of conditioned air duct to an adjacent room

- This option allows supply of conditioned air to a room located close to the Idrofan cassette through an air duct (customer-supplied). If this option is used, the outlet corresponding to the duct must be closed, using the air supply outlet obstruction kit provided. The kit cannot be used in units equipped with electric heater. An air inlet grille must be fitted (if possible near the floor) between the air-conditioned room (where the unit is situated) and the adjacent room or, alternatively, the door must be undercut.
- The duct lengths can be calculated in accordance with the "air distribution to an adjacent room" diagram in the IOM, also taking into account the pressure drop through air diffusers and fresh air filters.

Serviceability

- All the key components (motors, fans and drain pump) are accessible from the bottom by simply removing the grille. These components can be removed without disturbing the other components or any surrounding ceiling tiles.

Physical and electrical data of AC motor units

| 42GW | 200C | | | 300C | | | 400C | | | 500C | | | 600C | | | 701C | | | |
|--|-------------------|---------|------|---------|---------|------|---------|---------|------|---------|-------|------|---------|-------|------|---------|-------|------|------|
| Fan | | | | | | | | | | | | | | | | | | | |
| Coil type | 2 pipes | | | 2 pipes | | | 2 pipes | | | 2 pipes | | | 2 pipes | | | 2 pipes | | | |
| Fan speed* | 1 | 2 | 3 | 1 | 2 | 3 | 1 | 2 | 3 | 1 | 2 | 3 | 1 | 2 | 3 | 1 | 2 | 3 | |
| Air flow | l/s | 183 | 125 | 100 | 204 | 140 | 89 | 249 | 173 | 134 | 271 | 199 | 147 | 321 | 229 | 139 | 402 | 299 | 166 |
| | m ³ /h | 660 | 450 | 360 | 735 | 505 | 320 | 900 | 625 | 485 | 980 | 720 | 530 | 1160 | 825 | 500 | 1450 | 1080 | 600 |
| Cooling mode | | | | | | | | | | | | | | | | | | | |
| Total cooling capacity | kW | 2.40 | 1.80 | 1.55 | 4.00 | 2.90 | 1.90 | 4.70 | 3.50 | 2.85 | 6.30 | 4.50 | 3.40 | 7.20 | 5.50 | 3.70 | 8.70 | 6.60 | 4.05 |
| Sensible cooling capacity | kW | 2.01 | 1.49 | 1.31 | 3.10 | 2.20 | 1.41 | 3.70 | 2.70 | 2.10 | 4.80 | 3.60 | 2.70 | 5.50 | 4.10 | 2.70 | 6.40 | 4.85 | 3.00 |
| Water flow rate | l/s | 0.11 | 0.09 | 0.07 | 0.19 | 0.14 | 0.09 | 0.22 | 0.17 | 0.14 | 0.30 | 0.22 | 0.16 | 0.34 | 0.26 | 0.18 | 0.42 | 0.32 | 0.19 |
| | l/h | 413 | 310 | 267 | 688 | 499 | 327 | 808 | 602 | 490 | 1084 | 774 | 585 | 1238 | 946 | 636 | 1496 | 1135 | 697 |
| Water pressure drop, cooling | kPa | 11.1 | 6.5 | 4.9 | 11.0 | 6.2 | 2.9 | 14.7 | 8.6 | 6.0 | 23.3 | 13.6 | 8.7 | 11.6 | 7.0 | 3.4 | 19.3 | 11.6 | 4.7 |
| Heating mode | | | | | | | | | | | | | | | | | | | |
| Heating capacity | kW | 3.20 | 2.50 | 2.20 | 5.00 | 4.00 | 2.50 | 6.20 | 4.60 | 3.70 | 8.11 | 6.00 | 4.50 | 10.00 | 7.40 | 4.60 | 11.60 | 9.30 | 5.20 |
| Water pressure drop, heating | kPa | 10.9 | 5.6 | 4.0 | 11.1 | 5.2 | 1.9 | 16.2 | 8.1 | 5.0 | 18.1 | 10.1 | 6.2 | 10.5 | 6.6 | 3.3 | 18.0 | 11.1 | 4.8 |
| Water content | l | | 0.55 | | 1.1 | | | 1.1 | | | 1.6 | | | 2.4 | | | 2.4 | | |
| Sound levels | | | | | | | | | | | | | | | | | | | |
| Sound power level | dB(A) | 47 | 37 | 32 | 52 | 44 | 32 | 57 | 48 | 42 | 47 | 40 | 34 | 53 | 46 | 37 | 59 | 52 | 40 |
| Sound pressure level** | dB(A) | 38 | 28 | 23 | 43 | 35 | 23 | 48 | 39 | 33 | 38 | 31 | 25 | 44 | 37 | 28 | 50 | 43 | 31 |
| NR value** | | 33 | 23 | 18 | 38 | 30 | 18 | 43 | 34 | 28 | 33 | 26 | 20 | 39 | 32 | 23 | 45 | 38 | 26 |
| Power input | W | 58 | 35 | 25 | 54 | 32 | 16 | 94 | 55 | 35 | 63 | 39 | 27 | 85 | 59 | 33 | 123 | 90 | 43 |
| Current input | A | 0.27 | 0.17 | 0.12 | 0.24 | 0.14 | 0.07 | 0.41 | 0.24 | 0.16 | 0.30 | 0.17 | 0.12 | 0.46 | 0.27 | 0.14 | 0.63 | 0.41 | 0.19 |
| Eurovent FCEER | | 56 | | | 102 | | | 71 | | | 120 | | | 102 | | | 83 | | |
| Eurovent energy class FCEER | D | | | | C | | | D | | | C | | | C | | | C | | |
| Eurovent FCCOP | | 79 | | | 135 | | | 93 | | | 158 | | | 132 | | | 110 | | |
| Eurovent energy class FCCOP | D | | | | C | | | D | | | C | | | C | | | C | | |
| Electric heater | | | | | | | | | | | | | | | | | | | |
| High capacity @ 240 V | W | 1500 | | | 2500 | | | 2500 | | | 3000 | | | 3000 | | | 3000 | | |
| Current input, high capacity @ 240 V | A | 5.9 | | | 9.4 | | | 9.4 | | | 11.3 | | | 11.3 | | | 11.3 | | |
| Connection diameter | | | | | | | | | | | | | | | | | | | |
| Drain pipe connection outside diameter | in | 3/4 gas | | | 3/4 gas | | | 3/4 gas | | | 1 gas | | | 1 gas | | | 1 gas | | |
| | mm | 16 | | | 16 | | | 16 | | | 16 | | | 16 | | | 16 | | |
| Unit net weight | kg | 14.8 | | | 16.5 | | | 16.5 | | | 37 | | | 39.6 | | | 39.6 | | |
| Grille weight | kg | 3 | | | 3 | | | 3 | | | 5 | | | 5 | | | 5 | | |

| 42GW | 200D | | | 300D | | | 400D | | | 600D | | | 701D | | | |
|--|-------------------|---------|-------|---------|---------|------|---------|---------|------|---------|---------|------|---------|---------|-------|-------|
| Fan | | | | | | | | | | | | | | | | |
| Coil type | 4 pipes | | | 4 pipes | | | 4 pipes | | | 4 pipes | | | 4 pipes | | | |
| Fan speed* | 1 | 2 | 3 | 1 | 2 | 3 | 1 | 2 | 3 | 1 | 2 | 3 | 1 | 2 | 3 | |
| Air flow | l/s | 183 | 125 | 100 | 204 | 140 | 89 | 249 | 173 | 134 | 321 | 229 | 139 | 401.7 | 299.2 | 166.2 |
| | m ³ /h | 660 | 450 | 360 | 735 | 505 | 320 | 900 | 625 | 485 | 1160 | 825 | 500 | 1450 | 1080 | 600 |
| Cooling mode | | | | | | | | | | | | | | | | |
| Total cooling capacity | kW | 2.20 | 1.65 | 1.45 | 3.50 | 2.70 | 2.00 | 4.10 | 3.25 | 2.60 | 6.70 | 5.00 | 3.00 | 8.20 | 6.80 | 3.80 |
| Sensible cooling capacity | kW | 2.00 | 1.48 | 1.27 | 2.70 | 2.10 | 1.50 | 3.30 | 2.60 | 2.05 | 5.10 | 3.80 | 2.20 | 6.20 | 5.20 | 2.70 |
| Water flow rate, cooling | l/s | 0.11 | 0.08 | 0.07 | 0.17 | 0.13 | 0.10 | 0.20 | 0.16 | 0.12 | 0.32 | 0.24 | 0.14 | 0.39 | 0.32 | 0.18 |
| | l/h | 378 | 284 | 249 | 602 | 464 | 344 | 705 | 559 | 447 | 1152 | 860 | 516 | 1410 | 1170 | 654 |
| Water pressure drop, cooling | kPa | 13.7 | 8.2 | 6.6 | 10.1 | 6.6 | 4.0 | 13.1 | 8.9 | 6.2 | 23.2 | 14.1 | 5.9 | 32.7 | 23.8 | 8.9 |
| Water content, cooling | l | | 0.4 | | 1.1 | | | 1.1 | | | 2.4 | | | 2.4 | | |
| Heating mode | | | | | | | | | | | | | | | | |
| Heating capacity | kW | 1.90 | 1.44 | 1.24 | 6.37 | 5.10 | 3.60 | 6.80 | 5.80 | 5.00 | 11.50 | 8.90 | 6.00 | 14.50 | 11.50 | 7.30 |
| Water flow rate, heating | l/s | 0.045 | 0.034 | 0.03 | 0.15 | 0.12 | 0.09 | 0.16 | 0.14 | 0.12 | 0.27 | 0.21 | 0.14 | 0.346 | 0.275 | 0.174 |
| | l/h | 163 | 124 | 107 | 548 | 439 | 310 | 585 | 499 | 430 | 989 | 765 | 516 | 1247 | 989 | 628 |
| Water pressure drop, heating | kPa | 31.4 | 21.1 | 17.0 | 25.5 | 16.1 | 7.8 | 29.2 | 21.0 | 15.4 | 13.6 | 8.9 | 4.6 | 19.9 | 13.6 | 6.4 |
| Water content, heating | l | | 0.1 | | 0.6 | | | 0.6 | | | 1.2 | | | 1.2 | | |
| Sound levels | | | | | | | | | | | | | | | | |
| Sound power level | dB(A) | 47 | 37 | 32 | 54 | 45 | 33 | 57 | 48 | 42 | 53 | 46 | 37 | 59 | 52 | 40 |
| Sound pressure level** | dB(A) | 38 | 28 | 23 | 45 | 36 | 24 | 48 | 39 | 33 | 44 | 37 | 28 | 50 | 43 | 31 |
| NR value** | | 33 | 23 | 18 | 40 | 31 | 19 | 43 | 34 | 28 | 39 | 32 | 23 | 45 | 38 | 26 |
| Power input | W | 58 | 35 | 25 | 54 | 32 | 16 | 94 | 55 | 35 | 85 | 59 | 33 | 123 | 90 | 43 |
| Current input | A | 0.27 | 0.17 | 0.12 | 0.24 | 0.14 | 0.07 | 0.41 | 0.24 | 0.16 | 0.46 | 0.27 | 0.14 | 0.63 | 0.41 | 0.19 |
| Eurovent FCEER | | 52 | | | 101 | | | 65 | | | 87 | | | 81 | | |
| Eurovent energy class FCEER | E | | | | C | | | D | | | C | | | C | | |
| Eurovent FCCOP | | 45 | | | 185 | | | 121 | | | 165 | | | 146 | | |
| Eurovent energy class FCCOP | E | | | | B | | | C | | | B | | | C | | |
| Connection diameter, cooling | in | 3/4 gas | | | 3/4 gas | | | 3/4 gas | | | 1 gas | | | 1 gas | | |
| Connection diameter, heating | in | 1/2 gas | | | 1/2 gas | | | 1/2 gas | | | 3/4 gas | | | 3/4 gas | | |
| Drain pipe connection outside diameter | mm | 16 | | | 16 | | | 16 | | | 16 | | | 16 | | |
| Unit net weight | kg | 14.8 | | | 16.5 | | | 16.5 | | | 39.6 | | | 39.6 | | |
| Grille weight | kg | 3 | | | 3 | | | 3 | | | 5 | | | 5 | | |

Based on Eurovent conditions

Cooling mode (2 and 4-pipe coil): entering air temperature 27°C db/19°C wb, entering/leaving water temperature 7/12°C, high fan speed.

Heating mode (2-pipe coil): entering air temperature 20°C, entering water temperature 50°C, high fan speed, water flow rate as cooling mode.

Heating mode (4-pipe coil): entering air temperature 20°C, entering water temperature 70°C, high fan speed, water Δt = 10 K

* Fan speeds: 1 = high, 2 = medium, 3 = low

** Sound pressure level and NR values are based on a hypothetical sound attenuation for the room of -9 dB(A).

Note Electrical heater version is available on all 2-pipe units.

Physical and electrical data of LEC motor units

| 42GW | 209C | | | 309C | | | 409C | | | 509C | | | 609C | | | 709C | | | |
|--|-------------------|---------|------|---------|---------|------|---------|---------|------|---------|-------|------|---------|-------|------|---------|-------|------|------|
| Fan | | | | | | | | | | | | | | | | | | | |
| Coil type | 2 pipes | | | 2 pipes | | | 2 pipes | | | 2 pipes | | | 2 pipes | | | 2 pipes | | | |
| Fan Speed | 1 | 2 | 3 | 1 | 2 | 3 | 1 | 2 | 3 | 1 | 2 | 3 | 1 | 2 | 3 | 1 | 2 | 3 | |
| Voltage (d.c.) | V | 10 | 6 | 2 | 10 | 6 | 2 | 10 | 6 | 2 | 10 | 6 | 2 | 10 | 6 | 2 | 10 | 6 | 2 |
| Air flow | l/s | 183 | 125 | 100 | 204 | 140 | 89 | 249 | 173 | 134 | 271 | 199 | 147 | 321 | 229 | 139 | 443 | 299 | 166 |
| | m ³ /h | 660 | 450 | 360 | 735 | 505 | 320 | 900 | 625 | 485 | 980 | 720 | 530 | 1160 | 825 | 500 | 1600 | 1080 | 600 |
| Cooling mode | | | | | | | | | | | | | | | | | | | |
| Total cooling capacity | kW | 2.40 | 1.80 | 1.55 | 4.00 | 2.90 | 1.90 | 4.70 | 3.50 | 2.85 | 6.30 | 4.50 | 3.40 | 7.20 | 5.50 | 3.70 | 9.60 | 6.60 | 4.05 |
| Sensible cooling capacity | kW | 2.01 | 1.49 | 1.31 | 3.10 | 2.20 | 1.41 | 3.70 | 2.70 | 2.10 | 4.80 | 3.60 | 2.70 | 5.50 | 4.10 | 2.70 | 7.35 | 4.85 | 3.00 |
| Water flow rate | l/s | 0.11 | 0.09 | 0.07 | 0.19 | 0.14 | 0.09 | 0.22 | 0.17 | 0.14 | 0.30 | 0.22 | 0.16 | 0.34 | 0.26 | 0.18 | 0.46 | 0.32 | 0.19 |
| | l/h | 413 | 310 | 267 | 688 | 499 | 327 | 808 | 602 | 490 | 1084 | 774 | 585 | 1238 | 946 | 636 | 1651 | 1135 | 697 |
| Water pressure drop, cooling | kPa | 11.1 | 6.5 | 4.9 | 11.0 | 6.2 | 2.9 | 14.7 | 8.6 | 6.0 | 23.3 | 13.6 | 8.7 | 11.6 | 7.0 | 3.4 | 19.8 | 9.9 | 4.0 |
| Heating mode | | | | | | | | | | | | | | | | | | | |
| Heating capacity | kW | 3.20 | 2.50 | 2.20 | 5.00 | 4.00 | 2.50 | 6.20 | 4.60 | 3.70 | 8.11 | 6.00 | 4.50 | 10.00 | 7.40 | 4.60 | 13.0 | 9.30 | 5.20 |
| Water pressure drop, heating | kPa | 10.9 | 5.6 | 4.0 | 11.1 | 5.2 | 1.9 | 16.2 | 8.1 | 5.0 | 18.1 | 10.1 | 6.2 | 10.5 | 6.6 | 3.3 | 17.3 | 9.1 | 3.9 |
| Water content | l | | 0.55 | | | 1.1 | | | 1.1 | | | 1.6 | | | 2.4 | | | 2.4 | |
| Sound levels | | | | | | | | | | | | | | | | | | | |
| Sound power level | dB(A) | 47 | 37 | 32 | 52 | 44 | 32 | 57 | 48 | 42 | 47 | 40 | 34 | 53 | 46 | 37 | 61 | 52 | 40 |
| Sound pressure level* | dB(A) | 38 | 28 | 23 | 43 | 35 | 23 | 48 | 39 | 33 | 38 | 31 | 25 | 44 | 37 | 28 | 52 | 43 | 31 |
| NR value* | | 33 | 23 | 18 | 38 | 30 | 18 | 43 | 34 | 28 | 33 | 26 | 20 | 39 | 32 | 23 | 47 | 38 | 26 |
| Power input | W | 23 | 10 | 7 | 33 | 14 | 7 | 57 | 23 | 13 | 25 | 12 | 7 | 46 | 23 | 9 | 115 | 40 | 11 |
| Current input | A | 0.19 | 0.10 | 0.08 | 0.27 | 0.13 | 0.08 | 0.46 | 0.20 | 0.12 | 0.23 | 0.12 | 0.08 | 0.40 | 0.22 | 0.10 | 0.89 | 0.35 | 0.12 |
| Eurovent FCEER | | 191 | | | 222 | | | 175 | | | 404 | | | 295 | | | 206 | | |
| Eurovent energy class FCEER | A | A | | | A | | | B | | | A | | | A | | | A | | |
| Eurovent FCCOP | | 268 | | | 297 | | | 229 | | | 535 | | | 382 | | | 276 | | |
| Eurovent energy class FCCOP | A | A | | | A | | | B | | | A | | | A | | | A | | |
| Electric heater | | | | | | | | | | | | | | | | | | | |
| High capacity @ 240 V | W | 1500 | | | 2500 | | | 2500 | | | 3000 | | | 3000 | | | 3000 | | |
| Current input, high capacity @ 240 V | A | 5.9 | | | 9.4 | | | 9.4 | | | 11.3 | | | 11.3 | | | 11.3 | | |
| Connection diameter | | | | | | | | | | | | | | | | | | | |
| Drain pipe connection outside diameter | mm | 3/4 gas | | | 3/4 gas | | | 3/4 gas | | | 1 gas | | | 1 gas | | | 1 gas | | |
| | | 16 | | | 16 | | | 16 | | | 16 | | | 16 | | | 16 | | |
| Unit net weight | kg | 14.8 | | | 16.5 | | | 16.5 | | | 37 | | | 39.6 | | | 39.6 | | |
| Grille weight | kg | 3 | | | 3 | | | 3 | | | 5 | | | 5 | | | 5 | | |

| 42GW | 209D | | | 309D | | | 409D | | | 609D | | | 709D | | | |
|--|-------------------|---------|------|---------|---------|------|---------|---------|------|---------|---------|------|---------|---------|-------|------|
| Fan | | | | | | | | | | | | | | | | |
| Coil type | 4 pipes | | | 4 pipes | | | 4 pipes | | | 4 pipes | | | 4 pipes | | | |
| Fan Speed | 1 | 2 | 3 | 1 | 2 | 3 | 1 | 2 | 3 | 1 | 2 | 3 | 1 | 2 | 3 | |
| Voltage (d.c.) | V | 10 | 6 | 2 | 10 | 6 | 2 | 10 | 6 | 2 | 10 | 6 | 2 | 10 | 6 | 2 |
| Air flow | l/s | 183 | 125 | 100 | 204 | 140 | 89 | 249 | 173 | 134 | 271 | 199 | 147 | 321 | 229 | 139 |
| | m ³ /h | 660 | 450 | 360 | 735 | 505 | 320 | 900 | 625 | 485 | 980 | 720 | 530 | 1160 | 825 | 500 |
| Cooling mode | | | | | | | | | | | | | | | | |
| Total cooling capacity | kW | 2.20 | 1.65 | 1.45 | 3.50 | 2.70 | 2.00 | 4.10 | 3.25 | 2.60 | 6.70 | 5.00 | 3.00 | 9.10 | 6.80 | 3.80 |
| Sensible cooling capacity | kW | 2.00 | 1.48 | 1.27 | 2.70 | 2.10 | 1.50 | 3.30 | 2.60 | 2.05 | 5.10 | 3.80 | 2.20 | 7.10 | 5.20 | 2.70 |
| Water flow rate cooling | l/s | 0.11 | 0.08 | 0.07 | 0.17 | 0.13 | 0.10 | 0.20 | 0.16 | 0.12 | 0.32 | 0.24 | 0.14 | 0.43 | 0.32 | 0.18 |
| | l/h | 378 | 284 | 249 | 602 | 464 | 344 | 705 | 559 | 447 | 1152 | 860 | 516 | 1565 | 1170 | 654 |
| Water pressure drop, cooling | kPa | 13.7 | 8.2 | 6.6 | 10.1 | 6.6 | 4.0 | 13.1 | 8.9 | 6.2 | 23.2 | 14.1 | 5.9 | 39.0 | 23.8 | 8.9 |
| Water content, cooling | l | | 0.4 | | | 1.1 | | | 1.1 | | | 2.4 | | | 2.4 | |
| Heating mode | | | | | | | | | | | | | | | | |
| Heating capacity | kW | 1.90 | 1.44 | 1.24 | 6.37 | 5.10 | 3.60 | 6.80 | 5.80 | 5.00 | 11.50 | 8.90 | 6.00 | 16.00 | 11.50 | 7.30 |
| Water flow rate, heating | l/s | 0.05 | 0.03 | 0.03 | 0.15 | 0.12 | 0.09 | 0.16 | 0.14 | 0.12 | 0.27 | 0.21 | 0.14 | 0.38 | 0.27 | 0.17 |
| | l/h | 163 | 124 | 107 | 548 | 439 | 310 | 585 | 499 | 430 | 989 | 765 | 516 | 1376 | 989 | 628 |
| Water pressure drop, heating | kPa | 31.4 | 21.1 | 17.0 | 25.5 | 16.1 | 7.8 | 29.2 | 21.0 | 15.4 | 13.6 | 8.9 | 4.6 | 23.4 | 13.6 | 6.4 |
| Water content, heating | l | | 0.1 | | | 0.6 | | | 0.6 | | | 1.2 | | | 1.2 | |
| Sound levels | | | | | | | | | | | | | | | | |
| Sound power level | dB(A) | 47 | 37 | 32 | 54 | 45 | 33 | 57 | 48 | 42 | 53 | 46 | 37 | 61 | 52 | 40 |
| Sound pressure level* | dB(A) | 38 | 28 | 23 | 45 | 36 | 24 | 48 | 39 | 33 | 44 | 37 | 28 | 52 | 43 | 31 |
| NR value* | | 33 | 23 | 18 | 40 | 31 | 19 | 43 | 34 | 28 | 39 | 32 | 23 | 47 | 38 | 26 |
| Power input | W | 23 | 10 | 7 | 32 | 14 | 7 | 57 | 22 | 13 | 46 | 23 | 9 | 115 | 40 | 11 |
| Current input | A | 0.19 | 0.10 | 0.08 | 0.29 | 0.14 | 0.08 | 0.46 | 0.21 | 0.12 | 0.40 | 0.22 | 0.10 | 0.89 | 0.35 | 0.12 |
| Eurovent FCEER | | 178 | | | 222 | | | 162 | | | 253 | | | 201 | | |
| Eurovent energy class FCEER | B | B | | | A | | | B | | | A | | | A | | |
| Eurovent FCCOP | | 153 | | | 406 | | | 301 | | | 478 | | | 364 | | |
| Eurovent energy class FCCOP | B | B | | | A | | | A | | | A | | | A | | |
| Connection diameter, cooling | | | | | | | | | | | | | | | | |
| Drain pipe connection outside diameter | mm | 3/4 gas | | | 3/4 gas | | | 3/4 gas | | | 1 gas | | | 1 gas | | |
| Connection diameter, heating | | | | | | | | | | | | | | | | |
| Drain pipe connection outside diameter | mm | 1/2 gas | | | 1/2 gas | | | 1/2 gas | | | 3/4 gas | | | 3/4 gas | | |
| | | 16 | | | 16 | | | 16 | | | 16 | | | 16 | | |
| Unit net weight | kg | 14.8 | | | 16.5 | | | 16.5 | | | 39.6 | | | 39.6 | | |
| Grille weight | kg | 3 | | | 3 | | | 3 | | | 5 | | | 5 | | |
| 2 way valve weight | kg | | | | | | | 0.5 | | | 0.8 | | | 0.8 | | |
| 4 way valve weight | kg | | | | | | | 0.7 | | | 1 | | | 1 | | |
| Resistors weight | kg | | | | | | | 2 | | | 3 | | | 3 | | |

Based on Eurovent conditions

Cooling mode (2 and 4-pipe coil): entering air temperature 27°C db/19°C wb, entering/leaving water temperature 7/12°C, high fan speed.
Heating mode (2-pipe coil): entering air temperature 20°C, entering water temperature 50°C, high fan speed, water flow rate as cooling mode.
Heating mode (4-pipe coil): entering air temperature 20°C, entering water temperature 70°C, high fan speed, water Δt = 10 K

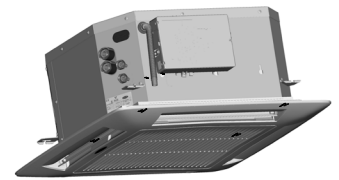
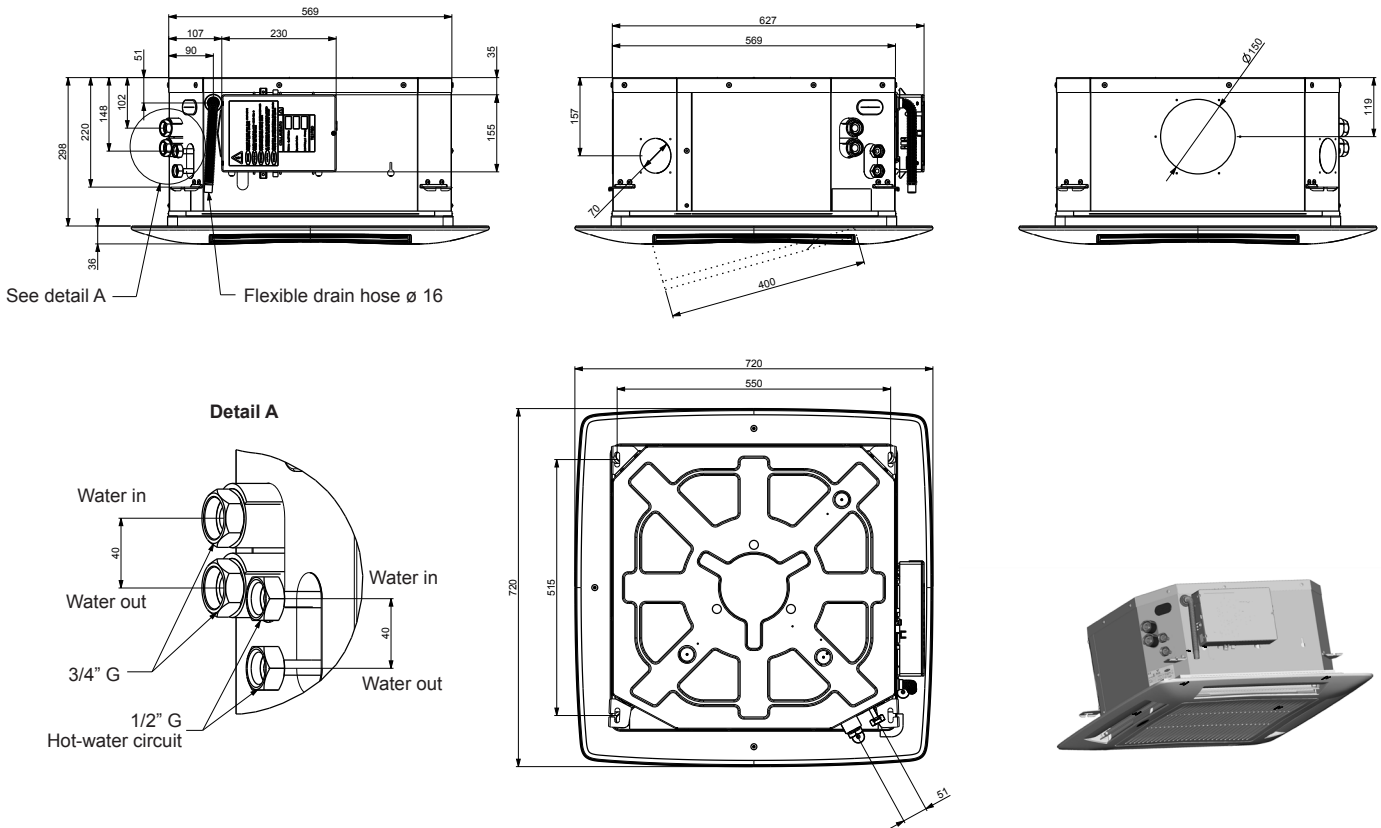
* Sound pressure level and NR values are based on a hypothetical sound attenuation for the room of -9 dB(A).

Note Electrical heater version is available on all 2-pipe units.

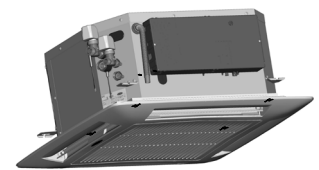
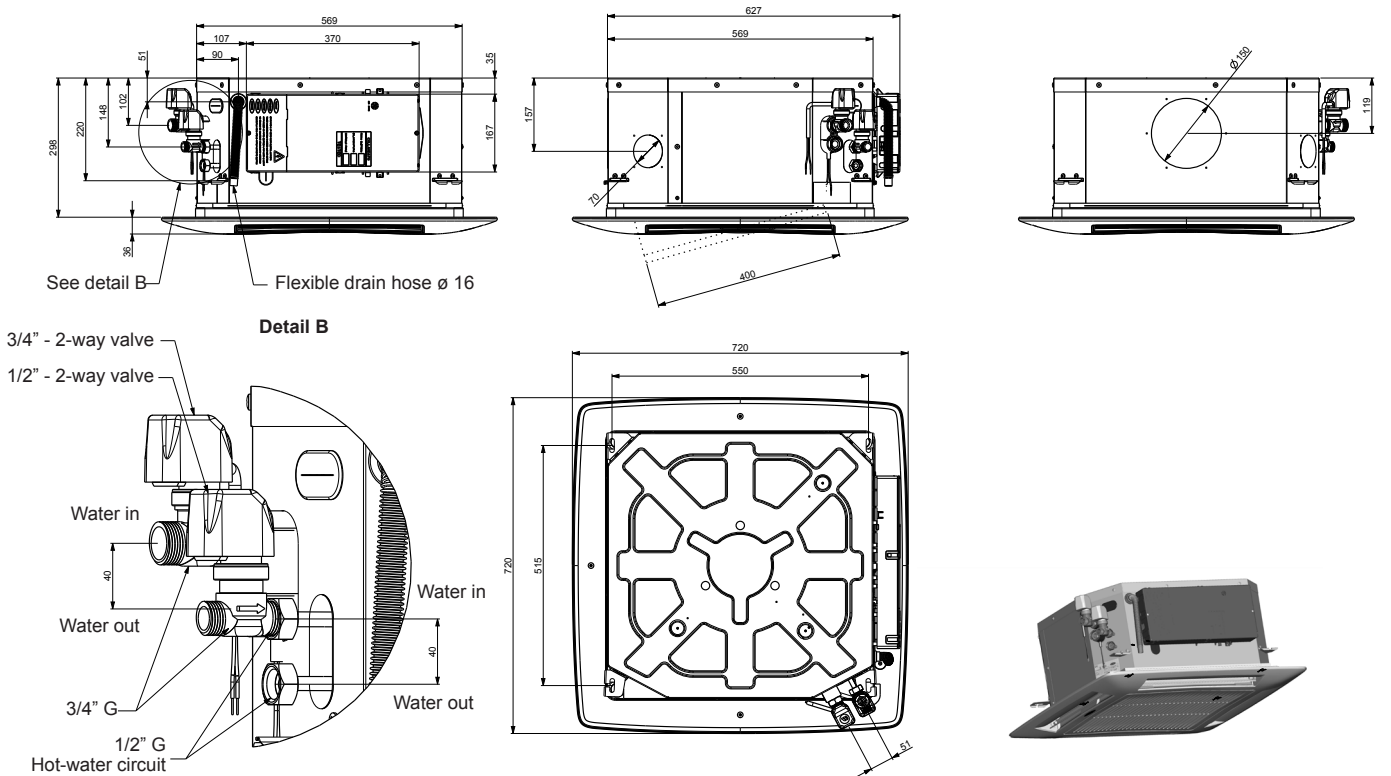
Dimensions, mm

42GW 200/209 - 300/309 - 400/409 (compact chassis)

Unit without valves



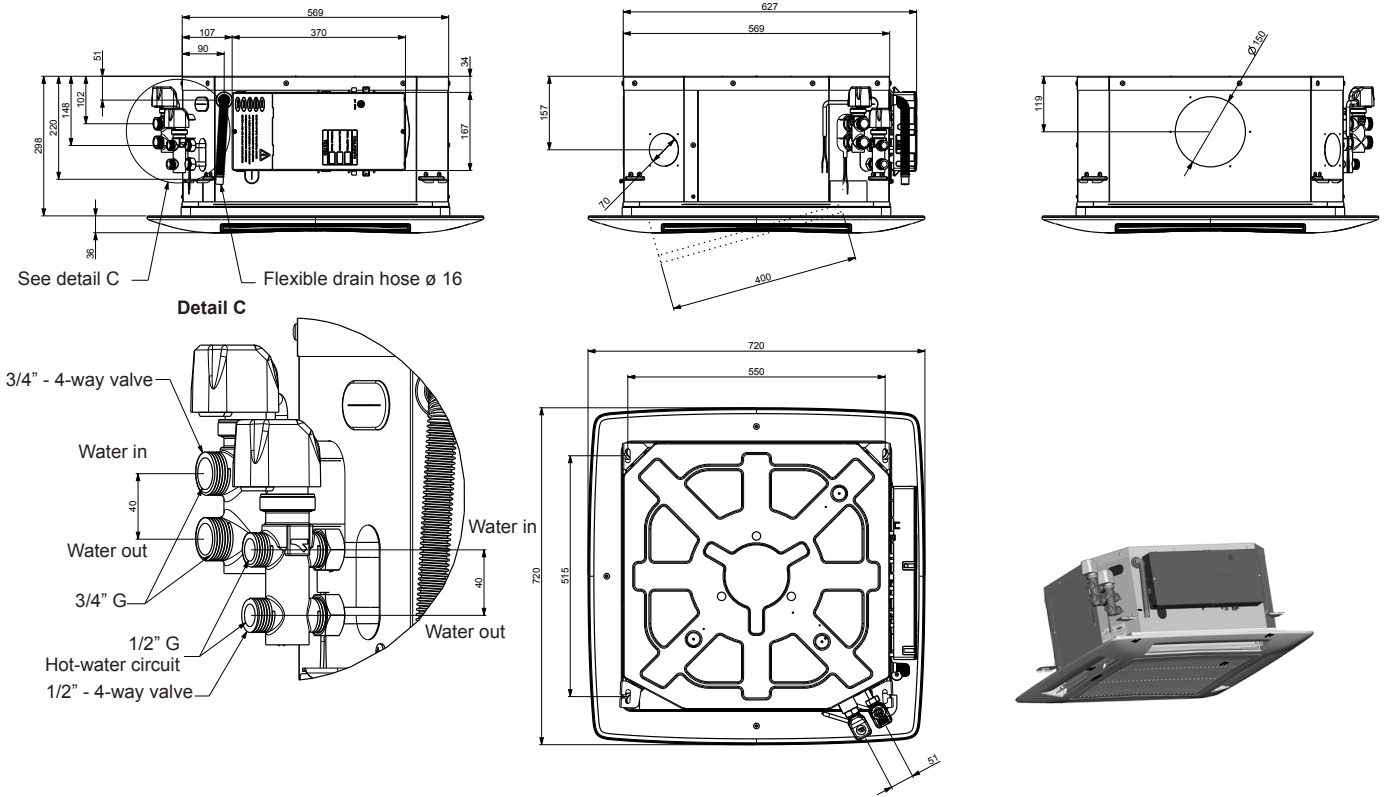
Unit with two-way valves



Dimensions, mm

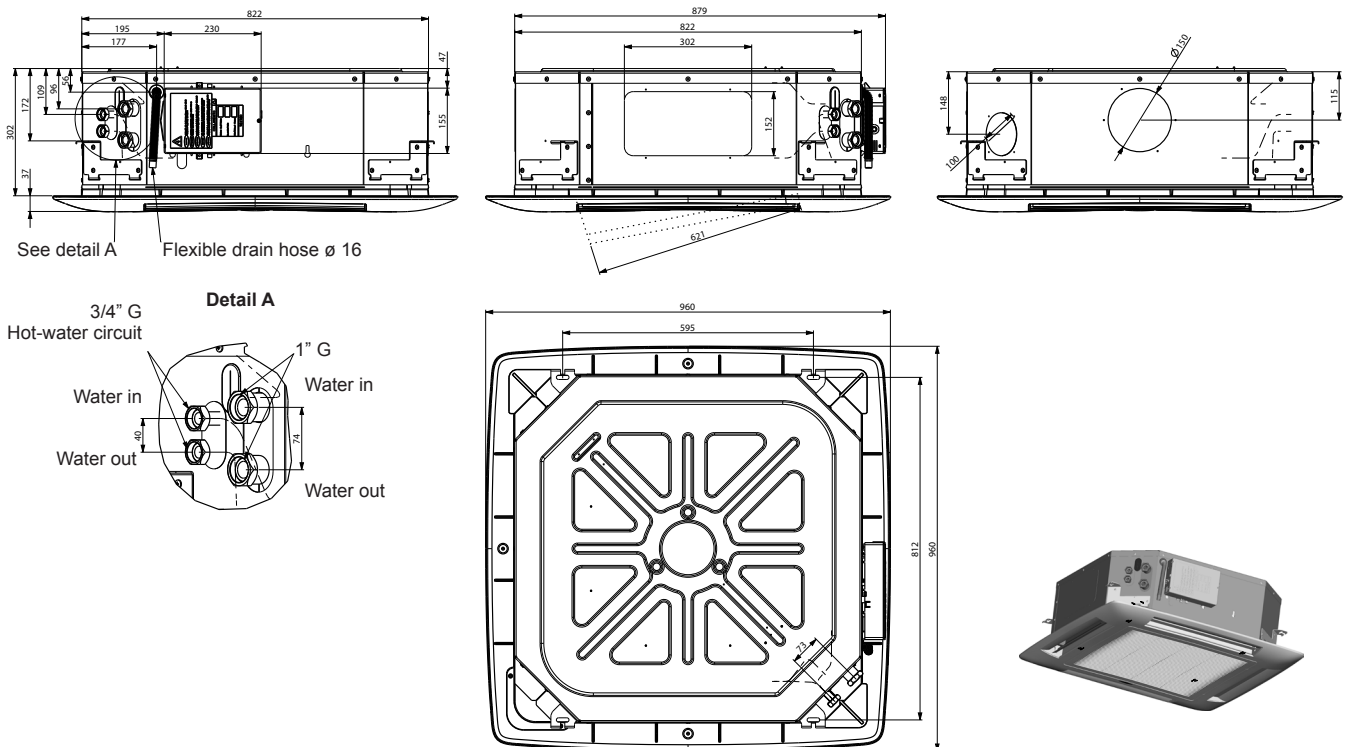
42GW 200/209 - 300/309 - 400/409 (compact chassis)

Unit with four-way valves



42GW 500/509 - 600/609 - 701/709 (large chassis)

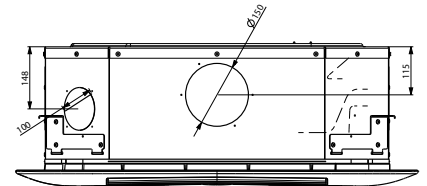
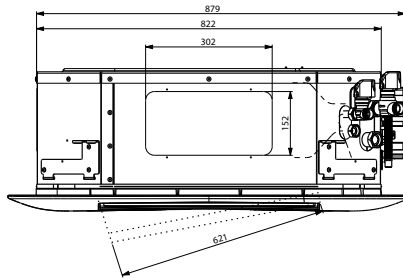
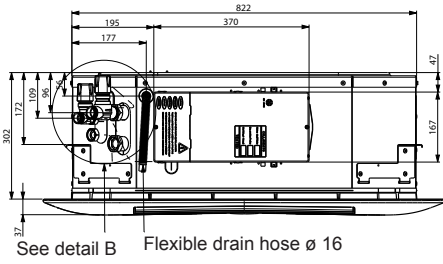
Unit without valves



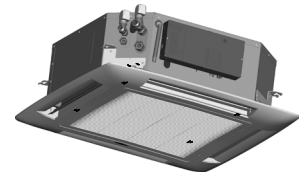
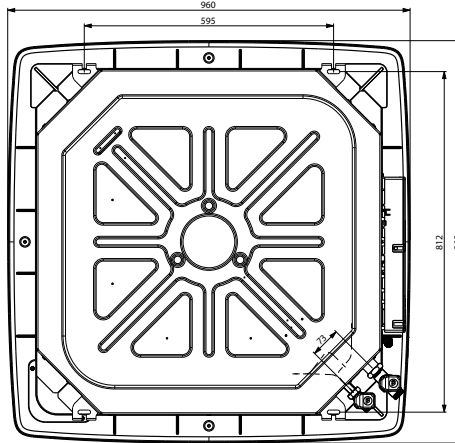
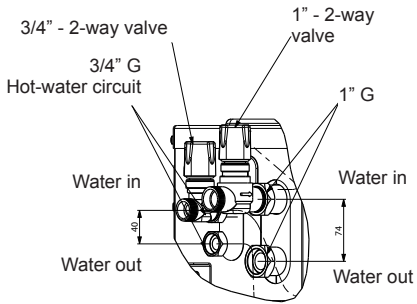
Dimensions, mm

42GW 500/509 - 600/609 - 701/709 (large chassis)

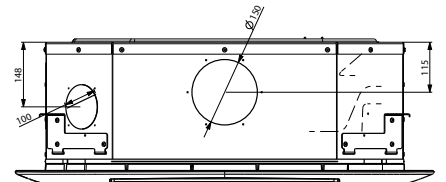
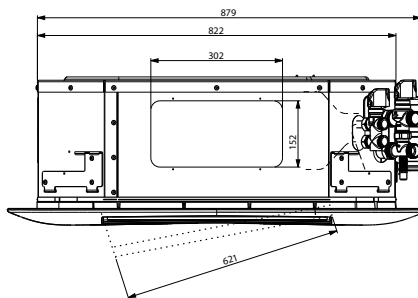
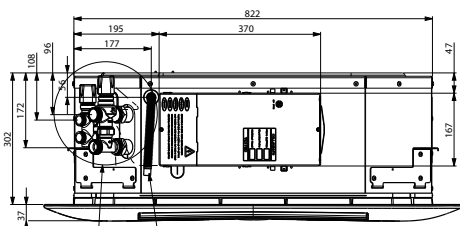
Unit with two-way valves



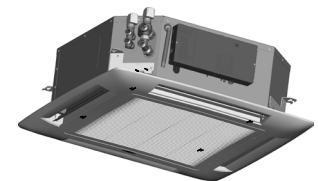
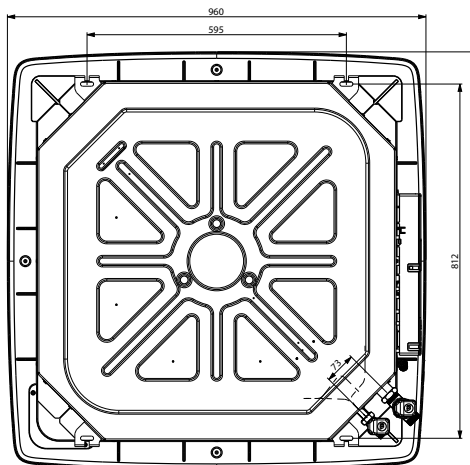
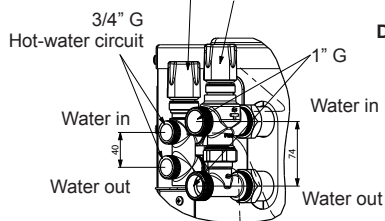
Detail B



Unit with four-way valves



Detail C



Cooling capacities in kW, two-pipe coil

| EAT | EWT | ΔT K | Size Speed N° | 200 | | | 300 | | | 400 | | | 500 | | | 600 | | | 701 | | |
|---------------------|-----|----------|------------------|------|------|------|------|------|------|------|------|------|------|------|------|------|------|------|-------|------|------|
| | | | | 1 | 2 | 3 | 1 | 2 | 3 | 1 | 2 | 3 | 1 | 2 | 3 | 1 | 2 | 3 | 1 | 2 | 3 |
| 17°C wb/ 23°C db | 5 | 3 | Total | 2.81 | 2.16 | 1.89 | 4.27 | 3.11 | 2.08 | 5.06 | 3.80 | 3.06 | 6.93 | 5.14 | 3.92 | 7.88 | 6.03 | 4.04 | 9.10 | 6.94 | 4.34 |
| | | | Sensible | 1.97 | 1.50 | 1.31 | 2.93 | 2.11 | 1.40 | 3.50 | 2.60 | 2.08 | 4.70 | 3.48 | 2.63 | 5.28 | 4.00 | 2.64 | 6.14 | 4.66 | 2.87 |
| | 5 | 5 | Total | 2.18 | 1.60 | 1.39 | 3.71 | 2.67 | 1.72 | 4.36 | 3.22 | 2.55 | 5.71 | 4.15 | 3.13 | 6.69 | 5.06 | 3.40 | 8.05 | 6.09 | 3.76 |
| | | | Sensible | 1.70 | 1.26 | 1.09 | 2.67 | 1.90 | 1.23 | 3.17 | 2.32 | 1.84 | 4.13 | 3.02 | 2.26 | 4.73 | 3.55 | 2.34 | 5.66 | 4.27 | 2.60 |
| | 5 | 7 | Total | 1.32 | 0.87 | 0.75 | 3.09 | 2.14 | 1.33 | 3.55 | 2.46 | 1.86 | 4.40 | 3.00 | 2.24 | 5.01 | 3.61 | 2.38 | 6.73 | 4.96 | 2.94 |
| | | | Sensible | 1.28 | 0.87 | 0.75 | 2.35 | 1.64 | 1.04 | 2.78 | 1.95 | 1.50 | 3.55 | 2.50 | 1.86 | 3.98 | 2.90 | 1.88 | 5.08 | 3.77 | 2.23 |
| | 5 | 9 | Total | 0.80 | 0.63 | 0.59 | 2.32 | 1.54 | 0.93 | 2.46 | 1.59 | 1.16 | 3.12 | 2.16 | 1.63 | 3.13 | 2.24 | 1.72 | 5.30 | 3.70 | 2.04 |
| | | | Sensible | 0.80 | 0.63 | 0.59 | 1.97 | 1.34 | 0.83 | 2.20 | 1.49 | 1.11 | 2.82 | 2.00 | 1.51 | 3.01 | 2.15 | 1.57 | 4.42 | 3.18 | 1.81 |
| | 7 | 3 | Total | 2.27 | 1.73 | 1.52 | 3.50 | 2.54 | 1.70 | 4.14 | 3.11 | 2.50 | 5.63 | 4.18 | 3.17 | 6.47 | 4.95 | 3.34 | 7.51 | 5.73 | 3.58 |
| | | | Sensible | 1.73 | 1.31 | 1.14 | 2.58 | 1.85 | 1.23 | 3.08 | 2.28 | 1.82 | 4.10 | 3.04 | 2.28 | 4.63 | 3.50 | 2.30 | 5.42 | 4.11 | 2.52 |
| | 7 | 5 | Total | 1.53 | 1.09 | 0.94 | 2.95 | 2.09 | 1.34 | 3.45 | 2.52 | 1.95 | 4.42 | 3.19 | 2.35 | 5.13 | 3.85 | 2.58 | 6.33 | 4.75 | 2.91 |
| | | | Sensible | 1.42 | 1.02 | 0.88 | 2.31 | 1.63 | 1.05 | 2.74 | 2.00 | 1.55 | 3.56 | 2.60 | 1.92 | 4.04 | 3.01 | 1.97 | 4.90 | 3.68 | 2.22 |
| | 7 | 7 | Total | 0.99 | 0.66 | 0.60 | 2.25 | 1.54 | 0.93 | 2.52 | 1.72 | 1.26 | 3.26 | 2.24 | 1.68 | 3.53 | 2.49 | 1.70 | 5.05 | 3.65 | 2.06 |
| | | | Sensible | 0.99 | 0.66 | 0.60 | 1.95 | 1.35 | 0.84 | 2.26 | 1.57 | 1.19 | 2.96 | 2.06 | 1.54 | 3.28 | 2.35 | 1.57 | 4.32 | 3.17 | 1.82 |
| | 7 | 9 | Total | 0.62 | 0.50 | 0.47 | 1.67 | 1.10 | 0.67 | 1.73 | 1.12 | 0.87 | 2.30 | 1.60 | 1.22 | 2.20 | 1.73 | 1.34 | 3.95 | 2.68 | 1.54 |
| | | | Sensible | 0.62 | 0.50 | 0.47 | 1.58 | 1.06 | 0.66 | 1.71 | 1.12 | 0.87 | 2.25 | 1.59 | 1.21 | 2.20 | 1.73 | 1.30 | 3.69 | 2.58 | 1.49 |
| | 9 | 3 | Total | 1.67 | 1.26 | 1.10 | 2.74 | 1.98 | 1.30 | 3.24 | 2.41 | 1.93 | 4.34 | 3.20 | 2.42 | 4.96 | 3.78 | 2.56 | 5.81 | 4.41 | 2.75 |
| | | | Sensible | 1.49 | 1.12 | 0.97 | 2.23 | 1.59 | 1.04 | 2.67 | 1.96 | 1.56 | 3.54 | 2.61 | 1.95 | 3.97 | 2.98 | 1.96 | 4.68 | 3.53 | 2.15 |
| 9 | 5 | Total | 1.14 | 0.80 | 0.69 | 2.17 | 1.49 | 0.93 | 2.53 | 1.76 | 1.34 | 3.31 | 2.35 | 1.72 | 3.67 | 2.70 | 1.81 | 4.70 | 3.47 | 2.06 | |
| | | Sensible | 1.14 | 0.80 | 0.69 | 1.94 | 1.34 | 0.85 | 2.30 | 1.61 | 1.25 | 3.05 | 2.18 | 1.59 | 3.37 | 2.49 | 1.62 | 4.17 | 3.10 | 1.83 | |
| 9 | 7 | Total | 0.66 | 0.50 | 0.47 | 1.62 | 1.09 | 0.67 | 1.81 | 1.21 | 0.89 | 2.34 | 1.64 | 1.24 | 2.54 | 1.77 | 1.31 | 3.79 | 2.69 | 1.51 | |
| | | Sensible | 0.66 | 0.50 | 0.47 | 1.57 | 1.06 | 0.66 | 1.78 | 1.21 | 0.89 | 2.30 | 1.64 | 1.23 | 2.54 | 1.77 | 1.29 | 3.62 | 2.61 | 1.47 | |
| 9 | 9 | Total | 0.45 | 0.36 | 0.35 | 1.18 | 0.79 | 0.48 | 1.15 | 0.80 | 0.61 | 1.62 | 1.13 | 0.92 | 1.57 | 1.26 | 1.01 | 2.88 | 1.92 | 1.13 | |
| | | Sensible | 0.45 | 0.36 | 0.35 | 1.18 | 0.79 | 0.48 | 1.15 | 0.80 | 0.61 | 1.62 | 1.13 | 0.92 | 1.57 | 1.26 | 1.01 | 2.88 | 1.92 | 1.13 | |
| 11 | 3 | Total | 1.20 | 0.88 | 0.76 | 1.98 | 1.41 | 0.90 | 2.36 | 1.72 | 1.36 | 3.20 | 2.34 | 1.76 | 3.55 | 2.68 | 1.80 | 4.24 | 3.18 | 1.94 | |
| | | Sensible | 1.20 | 0.88 | 0.76 | 1.87 | 1.33 | 0.85 | 2.24 | 1.63 | 1.29 | 3.03 | 2.22 | 1.66 | 3.34 | 2.49 | 1.63 | 3.97 | 2.98 | 1.79 | |
| 11 | 5 | Total | 0.85 | 0.58 | 0.50 | 1.55 | 1.06 | 0.65 | 1.83 | 1.26 | 0.96 | 2.45 | 1.69 | 1.26 | 2.71 | 1.97 | 1.29 | 3.55 | 2.59 | 1.49 | |
| | | Sensible | 0.85 | 0.58 | 0.50 | 1.53 | 1.06 | 0.65 | 1.82 | 1.26 | 0.96 | 2.45 | 1.69 | 1.26 | 2.71 | 1.97 | 1.29 | 3.49 | 2.56 | 1.48 | |
| 11 | 7 | Total | 0.45 | 0.36 | 0.34 | 1.18 | 0.78 | 0.48 | 1.26 | 0.82 | 0.63 | 1.66 | 1.16 | 0.88 | 1.61 | 1.27 | 0.97 | 2.83 | 1.94 | 1.11 | |
| | | Sensible | 0.45 | 0.36 | 0.34 | 1.18 | 0.78 | 0.48 | 1.26 | 0.82 | 0.63 | 1.66 | 1.16 | 0.88 | 1.61 | 1.27 | 0.97 | 2.83 | 1.94 | 1.11 | |
| 11 | 9 | Total | 0.28 | 0.24 | 0.23 | 0.76 | 0.50 | 0.30 | 0.67 | 0.47 | 0.37 | 0.97 | 0.76 | 0.63 | 0.98 | 0.81 | 0.68 | 1.81 | 1.24 | 0.74 | |
| | | Sensible | 0.28 | 0.24 | 0.23 | 0.76 | 0.50 | 0.30 | 0.67 | 0.47 | 0.37 | 0.97 | 0.76 | 0.63 | 0.98 | 0.81 | 0.68 | 1.81 | 1.24 | 0.74 | |
| 13 | 3 | Total | 0.94 | 0.68 | 0.58 | 1.50 | 1.03 | 0.65 | 1.80 | 1.29 | 0.98 | 2.43 | 1.77 | 1.31 | 2.69 | 1.99 | 1.32 | 3.26 | 2.42 | 1.43 | |
| | | Sensible | 0.94 | 0.68 | 0.58 | 1.50 | 1.03 | 0.65 | 1.80 | 1.29 | 0.98 | 2.43 | 1.77 | 1.31 | 2.69 | 1.99 | 1.32 | 3.26 | 2.42 | 1.43 | |
| 13 | 5 | Total | 0.53 | 0.37 | 0.34 | 1.14 | 0.77 | 0.48 | 1.31 | 0.89 | 0.66 | 1.69 | 1.19 | 0.90 | 1.91 | 1.34 | 0.94 | 2.69 | 1.93 | 1.08 | |
| | | Sensible | 0.53 | 0.37 | 0.34 | 1.14 | 0.77 | 0.48 | 1.31 | 0.89 | 0.66 | 1.69 | 1.19 | 0.90 | 1.91 | 1.34 | 0.94 | 2.69 | 1.93 | 1.08 | |
| 13 | 7 | Total | 0.28 | 0.23 | 0.22 | 0.74 | 0.50 | 0.30 | 0.69 | 0.48 | 0.37 | 0.98 | 0.70 | 0.58 | 0.97 | 0.79 | 0.64 | 1.81 | 1.22 | 0.72 | |
| | | Sensible | 0.28 | 0.23 | 0.22 | 0.74 | 0.50 | 0.30 | 0.69 | 0.48 | 0.37 | 0.98 | 0.70 | 0.58 | 0.97 | 0.79 | 0.64 | 1.81 | 1.22 | 0.72 | |
| 13 | 9 | Total | 0.13 | 0.12 | 0.11 | 0.31 | 0.20 | 0.12 | 0.24 | 0.18 | 0.15 | 0.50 | 0.39 | 0.33 | 0.43 | 0.38 | 0.34 | 0.75 | 0.50 | 0.32 | |
| | | Sensible | 0.13 | 0.12 | 0.11 | 0.31 | 0.20 | 0.12 | 0.24 | 0.18 | 0.15 | 0.50 | 0.39 | 0.33 | 0.43 | 0.38 | 0.34 | 0.75 | 0.50 | 0.32 | |
| 19°C wb/ 25°C db | 5 | 3 | Total | 3.55 | 2.74 | 2.41 | 5.34 | 3.89 | 2.61 | 6.35 | 4.76 | 3.85 | 8.78 | 6.53 | 4.96 | 9.84 | 7.54 | 5.04 | 11.31 | 8.64 | 5.40 |
| | | | Sensible | 2.21 | 1.69 | 1.48 | 3.27 | 2.37 | 1.58 | 3.91 | 2.90 | 2.34 | 5.31 | 3.94 | 2.98 | 5.92 | 4.50 | 2.98 | 6.85 | 5.21 | 3.22 |
| | 5 | 5 | Total | 3.01 | 2.26 | 1.98 | 4.76 | 3.45 | 2.27 | 5.62 | 4.19 | 3.35 | 7.46 | 5.49 | 4.15 | 8.79 | 6.70 | 4.51 | 10.33 | 7.85 | 4.89 |
| | | | Sensible | 1.97 | 1.48 | 1.29 | 3.02 | 2.17 | 1.42 | 3.60 | 2.66 | 2.12 | 4.73 | 3.48 | 2.61 | 5.44 | 4.11 | 2.73 | 6.41 | 4.86 | 2.98 |
| | 5 | 7 | Total | 2.21 | 1.53 | 1.32 | 4.14 | 2.93 | 1.88 | 4.82 | 3.52 | 2.71 | 6.08 | 4.37 | 3.20 | 7.30 | 5.47 | 3.65 | 9.09 | 6.83 | 4.18 |
| | | | Sensible | 1.65 | 1.19 | 1.02 | 2.74 | 1.93 | 1.24 | 3.23 | 2.35 | 1.83 | 4.12 | 2.99 | 2.20 | 4.80 | 3.57 | 2.34 | 5.87 | 4.41 | 2.67 |
| | 5 | 9 | Total | 1.14 | 0.79 | 0.73 | 3.40 | 2.35 | 1.42 | 3.85 | 2.62 | 1.92 | 4.57 | 3.09 | 2.31 | 5.20 | 3.58 | 2.39 | 7.54 | 5.50 | 3.17 |
| | | | Sensible | 1.14 | 0.79 | 0.73 | 2.39 | 1.67 | 1.04 | 2.79 | 1.94 | 1.47 | 3.49 | 2.45 | 1.83 | 3.92 | 2.79 | 1.82 | 5.23 | 3.86 | 2.24 |
| | 7 | 3 | Total | 3.01 | 2.32 | 2.04 | 4.55 | 3.33 | 2.23 | 5.41 | 4.06 | 3.28 | 7.43 | 5.52 | 4.21 | 8.45 | 6.48 | 4.35 | 9.72 | 7.43 | 4.65 |
| | | | Sensible | 1.97 | 1.51 | 1.32 | 2.92 | 2.11 | 1.41 | 3.50 | 2.59 | 2.08 | 4.70 | 3.48 | 2.63 | 5.29 | 4.01 | 2.65 | 6.13 | 4.66 | 2.87 |
| | 7 | 5 | Total | 2.40 | 1.78 | 1.56 | 3.96 | 2.86 | 1.85 | 4.66 | 3.46 | 2.76 | 6.12 | 4.47 | 3.37 | 7.25 | 5.52 | 3.72 | 8.62 | 6.54 | 4.07 |
| | | | Sensible | 1.72 | 1.29 | 1.12 | 2.67 | 1.91 | 1.24 | 3.17 | 2.33 | 1.86 | 4.14 | 3.03 | 2.28 | 4.77 | 3.59 | 2.37 | 5.66 | 4.28 | 2.62 |
| | 7 | 7 | Total | 1.46 | 0.96 | 0.83 | 3.33 | 2.31 | 1.46 | 3.83 | 2.72 | 2.06 | 4.70 | 3.27 | 2.39 | 5.54 | 4.06 | 2.70 | 7.20 | 5.35 | 3.22 |
| | | | Sensible | 1.34 | 0.93 | 0.80 | 2.38 | 1.65 | 1.06 | 2.80 | 1.99 | 1.54 | 3.55 | 2.54 | 1.87 | 4.07 | 2.99 | 1.94 | 5.08 | 3.80 | 2.26 |
| | 7 | 9 | Total | 0.84 | 0.65 | 0.60 | 2.49 | 1.67 | 0.99 | 2.68 | 1.75 | 1.23 | 3.25 | 2.28 | 1.72 | 3.43 | 2.33 | 1.79 | 5.60 | 4.01 | 2.17 |
| | | | Sensible | 0.84 | 0.65 | 0.60 | 1.99 | 1.37 | 0.85 | 2.26 | 1.54 | 1.14 | 2.83 | 2.02 | 1.52 | 3.14 | 2.19 | 1.56 | 4.42 | 3.23 | 1.82 |
| | 9 | 3 | Total | 2.44 | 1.87 | 1.65 | 3.73 | 2.72 | 1.82 | 4.41 | 3.32 | 2.68 | 6.02 | 4.47 | 3.41 | 6.96 | 5.34 | 3.60 | 8.03 | 6.13 | 3.85 |
| | | | Sensible | 1.74 | 1.32 | 1.15 | 2.57 | 1.85 | 1.23 | 3.08 | 2.28 | 1.82 | 4.10 | 3.04 | 2.29 | 4.64 | 3.51 | 2.32 | 5.41 | 4.11 | 2.52 |
| 9 | 5 | Total | 1.71 | 1.22 | 1.06 | 3.15 | | | | | | | | | | | | | | | |

Cooling capacities in kW, two-pipe coil (continued)

| EAT | EWT | ΔT K | Speed N° | 200 | | | 300 | | | 400 | | | 500 | | | 600 | | | 701 | | |
|---------------------|-----|----------|----------|------|------|------|------|------|------|------|------|------|-------|------|-------|-------|------|-------|-------|-------|------|
| | | | | 1 | 2 | 3 | 1 | 2 | 3 | 1 | 2 | 3 | 1 | 2 | 3 | 1 | 2 | 3 | 1 | 2 | 3 |
| 19°C wb/ 27°C db | 5 | 3 | Total | 3.55 | 2.74 | 2.41 | 5.33 | 3.89 | 2.61 | 6.35 | 4.75 | 3.84 | 8.77 | 6.52 | 4.96 | 9.84 | 7.53 | 5.04 | 11.30 | 8.64 | 5.40 |
| | | | Sensible | 2.49 | 1.91 | 1.66 | 3.67 | 2.65 | 1.76 | 4.40 | 3.26 | 2.62 | 5.94 | 4.41 | 3.32 | 6.61 | 5.01 | 3.30 | 7.67 | 5.83 | 3.59 |
| 5 | 5 | Total | 3.00 | 2.26 | 1.98 | 4.79 | 3.46 | 2.28 | 5.66 | 4.21 | 3.37 | 7.54 | 5.55 | 4.19 | 8.78 | 6.69 | 4.51 | 10.32 | 7.85 | 4.88 | |
| | | Sensible | 2.26 | 1.70 | 1.48 | 3.42 | 2.46 | 1.61 | 4.09 | 3.01 | 2.40 | 5.38 | 3.97 | 2.97 | 6.13 | 4.62 | 3.05 | 7.23 | 5.47 | 3.35 | |
| 5 | 7 | Total | 2.20 | 1.50 | 1.29 | 4.22 | 2.99 | 1.91 | 4.92 | 3.60 | 2.78 | 6.25 | 4.52 | 3.33 | 7.32 | 5.48 | 3.68 | 9.08 | 6.83 | 4.18 | |
| | | Sensible | 1.93 | 1.37 | 1.18 | 3.15 | 2.23 | 1.43 | 3.73 | 2.72 | 2.11 | 4.81 | 3.51 | 2.59 | 5.50 | 4.09 | 2.68 | 6.69 | 5.03 | 3.04 | |
| 5 | 9 | Total | 1.49 | 1.00 | 0.88 | 3.53 | 2.44 | 1.49 | 4.04 | 2.77 | 2.06 | 5.03 | 3.43 | 2.57 | 5.53 | 3.97 | 2.63 | 7.74 | 5.67 | 3.29 | |
| | | Sensible | 1.49 | 1.00 | 0.88 | 2.81 | 1.96 | 1.23 | 3.31 | 2.31 | 1.77 | 4.28 | 2.98 | 2.23 | 4.71 | 3.42 | 2.22 | 6.10 | 4.52 | 2.64 | |
| 7 | 3 | Total | 3.01 | 2.32 | 2.04 | 4.54 | 3.32 | 2.23 | 5.41 | 4.05 | 3.28 | 7.44 | 5.52 | 4.21 | 8.44 | 6.47 | 4.35 | 9.71 | 7.42 | 4.65 | |
| | | Sensible | 2.26 | 1.72 | 1.50 | 3.32 | 2.40 | 1.59 | 3.98 | 2.94 | 2.36 | 5.34 | 3.95 | 2.98 | 5.98 | 4.52 | 2.97 | 6.95 | 5.28 | 3.24 | |
| 7 | 5 | Total | 2.40 | 1.80 | 1.55 | 4.00 | 2.90 | 1.90 | 4.70 | 3.50 | 2.85 | 6.30 | 4.50 | 3.40 | 7.20 | 5.50 | 3.70 | 8.61 | 6.60 | 4.05 | |
| | | Sensible | 2.01 | 1.49 | 1.31 | 3.10 | 2.20 | 1.41 | 3.70 | 2.70 | 2.10 | 4.80 | 3.60 | 2.70 | 5.50 | 4.10 | 2.70 | 6.48 | 4.85 | 3.00 | |
| 7 | 7 | Total | 1.69 | 1.16 | 1.00 | 3.44 | 2.39 | 1.51 | 3.97 | 2.84 | 2.16 | 5.04 | 3.60 | 2.63 | 5.74 | 4.23 | 2.83 | 7.37 | 5.49 | 3.30 | |
| | | Sensible | 1.65 | 1.16 | 1.00 | 2.79 | 1.94 | 1.24 | 3.30 | 2.36 | 1.83 | 4.29 | 3.11 | 2.28 | 4.81 | 3.55 | 2.31 | 5.94 | 4.44 | 2.65 | |
| 7 | 9 | Total | 1.21 | 0.81 | 0.74 | 2.72 | 1.85 | 1.12 | 3.05 | 2.08 | 1.52 | 3.94 | 2.74 | 2.06 | 4.27 | 3.02 | 2.07 | 6.09 | 4.39 | 2.46 | |
| | | Sensible | 1.21 | 0.81 | 0.74 | 2.41 | 1.67 | 1.03 | 2.79 | 1.94 | 1.46 | 3.65 | 2.58 | 1.93 | 4.06 | 2.90 | 1.95 | 5.35 | 3.93 | 2.25 | |
| 9 | 3 | Total | 2.44 | 1.87 | 1.64 | 3.77 | 2.74 | 1.83 | 4.47 | 3.35 | 2.70 | 6.11 | 4.53 | 3.45 | 6.95 | 5.33 | 3.60 | 8.01 | 6.12 | 3.84 | |
| | | Sensible | 2.02 | 1.53 | 1.34 | 2.97 | 2.13 | 1.41 | 3.57 | 2.63 | 2.10 | 4.76 | 3.52 | 2.65 | 5.34 | 4.02 | 2.64 | 6.23 | 4.72 | 2.89 | |
| 9 | 5 | Total | 1.82 | 1.32 | 1.14 | 3.24 | 2.33 | 1.49 | 3.81 | 2.80 | 2.21 | 5.00 | 3.63 | 2.74 | 5.70 | 4.31 | 2.91 | 6.90 | 5.19 | 3.20 | |
| | | Sensible | 1.73 | 1.27 | 1.10 | 2.72 | 1.94 | 1.24 | 3.24 | 2.36 | 1.87 | 4.28 | 3.13 | 2.35 | 4.80 | 3.58 | 2.34 | 5.75 | 4.32 | 2.61 | |
| 9 | 7 | Total | 1.37 | 0.95 | 0.82 | 2.63 | 1.81 | 1.12 | 3.08 | 2.12 | 1.61 | 4.02 | 2.80 | 2.07 | 4.42 | 3.22 | 2.13 | 5.79 | 4.24 | 2.48 | |
| | | Sensible | 1.37 | 0.95 | 0.82 | 2.39 | 1.66 | 1.04 | 2.86 | 1.98 | 1.53 | 3.77 | 2.65 | 1.96 | 4.17 | 3.05 | 2.00 | 5.23 | 3.87 | 2.28 | |
| 9 | 9 | Total | 0.90 | 0.66 | 0.61 | 2.12 | 1.42 | 0.87 | 2.37 | 1.59 | 1.17 | 3.06 | 2.15 | 1.62 | 3.34 | 2.33 | 1.69 | 4.91 | 3.50 | 1.96 | |
| | | Sensible | 0.90 | 0.66 | 0.61 | 2.04 | 1.39 | 0.86 | 2.33 | 1.59 | 1.17 | 3.01 | 2.14 | 1.61 | 3.34 | 2.33 | 1.68 | 4.68 | 3.39 | 1.19 | |
| 11 | 3 | Total | 1.83 | 1.37 | 1.19 | 2.99 | 2.16 | 1.44 | 3.55 | 2.64 | 2.12 | 4.81 | 3.57 | 2.70 | 5.41 | 4.14 | 2.80 | 6.29 | 4.78 | 2.98 | |
| | | Sensible | 1.76 | 1.31 | 1.14 | 2.63 | 1.88 | 1.24 | 3.15 | 2.31 | 1.84 | 4.22 | 3.12 | 2.34 | 4.69 | 3.52 | 2.30 | 5.51 | 4.16 | 2.52 | |
| 11 | 5 | Total | 1.46 | 1.05 | 0.91 | 2.49 | 1.73 | 1.10 | 2.94 | 2.12 | 1.62 | 3.95 | 2.87 | 2.12 | 4.38 | 3.25 | 2.18 | 5.37 | 3.99 | 2.40 | |
| | | Sensible | 1.46 | 1.05 | 0.91 | 2.35 | 1.63 | 1.04 | 2.81 | 2.02 | 1.56 | 3.77 | 2.75 | 2.02 | 4.18 | 3.10 | 2.03 | 5.05 | 3.77 | 2.25 | |
| 11 | 7 | Total | 1.09 | 0.73 | 0.63 | 2.04 | 1.40 | 0.85 | 2.38 | 1.64 | 1.24 | 3.18 | 2.19 | 1.64 | 3.52 | 2.54 | 1.67 | 4.67 | 3.39 | 1.94 | |
| | | Sensible | 1.09 | 0.73 | 0.63 | 2.00 | 1.38 | 0.85 | 2.36 | 1.64 | 1.24 | 3.16 | 2.19 | 1.64 | 3.52 | 2.54 | 1.67 | 4.56 | 3.34 | 1.92 | |
| 11 | 9 | Total | 0.65 | 0.51 | 0.48 | 1.66 | 1.10 | 0.68 | 1.83 | 1.20 | 0.90 | 2.38 | 1.67 | 1.26 | 2.46 | 1.79 | 1.36 | 3.95 | 2.76 | 1.56 | |
| | | Sensible | 0.65 | 0.51 | 0.48 | 1.66 | 1.10 | 0.68 | 1.83 | 1.20 | 0.90 | 2.38 | 1.67 | 1.26 | 2.46 | 1.79 | 1.36 | 3.95 | 2.76 | 1.56 | |
| 13 | 3 | Total | 1.48 | 1.09 | 0.94 | 2.29 | 1.63 | 1.05 | 2.75 | 2.01 | 1.59 | 3.78 | 2.78 | 2.09 | 4.14 | 3.10 | 2.07 | 4.89 | 3.66 | 2.20 | |
| | | Sensible | 1.48 | 1.09 | 0.94 | 2.26 | 1.60 | 1.03 | 2.73 | 1.98 | 1.57 | 3.71 | 2.73 | 2.05 | 4.07 | 3.04 | 1.99 | 4.82 | 3.60 | 2.15 | |
| 13 | 5 | Total | 1.19 | 0.85 | 0.73 | 1.98 | 1.35 | 0.85 | 2.37 | 1.66 | 1.27 | 3.18 | 2.30 | 1.66 | 3.53 | 2.60 | 1.72 | 4.37 | 3.23 | 1.90 | |
| | | Sensible | 1.19 | 0.85 | 0.73 | 1.98 | 1.35 | 0.85 | 2.37 | 1.66 | 1.27 | 3.18 | 2.30 | 1.66 | 3.53 | 2.60 | 1.72 | 4.37 | 3.23 | 1.90 | |
| 13 | 7 | Total | 0.77 | 0.52 | 0.48 | 1.62 | 1.10 | 0.67 | 1.86 | 1.27 | 0.94 | 2.41 | 1.70 | 1.28 | 2.73 | 1.93 | 1.33 | 3.79 | 2.72 | 1.53 | |
| | | Sensible | 0.77 | 0.52 | 0.48 | 1.62 | 1.10 | 0.67 | 1.86 | 1.27 | 0.94 | 2.41 | 1.70 | 1.28 | 2.73 | 1.93 | 1.33 | 3.79 | 2.72 | 1.53 | |
| 13 | 9 | Total | 0.46 | 0.38 | 0.35 | 1.24 | 0.82 | 0.50 | 1.27 | 0.84 | 0.64 | 1.70 | 1.18 | 0.92 | 1.64 | 1.31 | 1.03 | 3.02 | 2.01 | 1.18 | |
| | | Sensible | 0.46 | 0.38 | 0.35 | 1.24 | 0.82 | 0.50 | 1.27 | 0.84 | 0.64 | 1.70 | 1.18 | 0.92 | 1.64 | 1.31 | 1.03 | 3.02 | 2.01 | 1.18 | |
| 21°C wb/ 29°C db | 5 | 3 | Total | 4.34 | 3.36 | 2.96 | 6.49 | 4.72 | 3.18 | 7.73 | 5.80 | 4.68 | 10.76 | 8.01 | 6.08 | 11.94 | 9.14 | 6.11 | 13.68 | 10.46 | 6.54 |
| | | | Sensible | 2.72 | 2.09 | 1.83 | 4.01 | 2.90 | 1.94 | 4.81 | 3.57 | 2.87 | 6.55 | 4.87 | 3.67 | 7.24 | 5.50 | 3.64 | 8.36 | 6.37 | 3.93 |
| 5 | 5 | Total | 3.85 | 2.93 | 2.57 | 5.93 | 4.31 | 2.88 | 7.00 | 5.25 | 4.22 | 9.45 | 7.02 | 5.32 | 10.97 | 8.39 | 5.64 | 12.74 | 9.72 | 6.07 | |
| | | Sensible | 2.51 | 1.90 | 1.66 | 3.77 | 2.72 | 1.80 | 4.50 | 3.33 | 2.67 | 5.97 | 4.42 | 3.33 | 6.81 | 5.16 | 3.42 | 7.95 | 6.04 | 3.72 | |
| 5 | 7 | Total | 3.17 | 2.33 | 2.03 | 5.31 | 3.83 | 2.48 | 6.24 | 4.62 | 3.67 | 8.13 | 5.91 | 4.46 | 9.68 | 7.34 | 4.95 | 11.60 | 8.79 | 5.45 | |
| | | Sensible | 2.24 | 1.66 | 1.44 | 3.51 | 2.51 | 1.62 | 4.17 | 3.06 | 2.43 | 5.41 | 3.95 | 2.96 | 6.25 | 4.70 | 3.10 | 7.46 | 5.64 | 3.44 | |
| 5 | 9 | Total | 2.16 | 1.39 | 1.20 | 4.69 | 3.28 | 2.08 | 5.41 | 3.90 | 2.98 | 6.67 | 4.73 | 3.42 | 7.92 | 5.85 | 3.91 | 10.19 | 7.62 | 4.62 | |
| | | Sensible | 1.86 | 1.29 | 1.11 | 3.22 | 2.26 | 1.45 | 3.79 | 2.74 | 2.11 | 4.80 | 3.47 | 2.54 | 5.54 | 4.08 | 2.66 | 6.88 | 5.16 | 3.10 | |
| 7 | 3 | Total | 3.80 | 2.94 | 2.60 | 5.70 | 4.16 | 2.80 | 6.78 | 5.09 | 4.12 | 9.42 | 7.01 | 5.33 | 10.55 | 8.09 | 5.43 | 12.08 | 9.24 | 5.80 | |
| | | Sensible | 2.49 | 1.91 | 1.67 | 3.67 | 2.65 | 1.77 | 4.39 | 3.26 | 2.62 | 5.95 | 4.41 | 3.33 | 6.61 | 5.02 | 3.31 | 7.65 | 5.82 | 3.57 | |
| 7 | 5 | Total | 3.26 | 2.47 | 2.17 | 5.11 | 3.71 | 2.47 | 6.03 | 4.51 | 3.62 | 8.07 | 5.99 | 4.53 | 9.47 | 7.25 | 4.89 | 11.05 | 8.42 | 5.29 | |
| | | Sensible | 2.28 | 1.72 | 1.49 | 3.42 | 2.46 | 1.62 | 4.08 | 3.01 | 2.41 | 5.38 | 3.98 | 2.99 | 6.16 | 4.66 | 3.08 | 7.22 | 5.48 | 3.36 | |
| 7 | 7 | Total | 2.49 | 1.78 | 1.54 | 4.51 | 3.24 | 2.07 | 5.27 | 3.88 | 3.06 | 6.74 | 4.87 | 3.66 | 7.99 | 6.03 | 4.05 | 9.76 | 7.37 | 4.55 | |
| | | Sensible | 1.98 | 1.45 | 1.25 | 3.15 | 2.25 | 1.45 | 3.74 | 2.74 | 2.16 | 4.83 | 3.52 | 2.63 | 5.56 | 4.16 | 2.72 | 6.70 | 5.05 | 3.07 | |
| 7 | 9 | Total | 1.60 | 1.06 | 0.92 | 3.83 | 2.65 | 1.64 | 4.38 | 3.04 | 2.29 | 5.36 | 3.68 | 2.73 | 6.14 | 4.42 | 2.91 | 8.29 | 6.12 | 3.63 | |
| | | Sensible | 1.57 | 1.06 | 0.92 | 2.85 | 1.98 | 1.26 | 3.35 | 2.36 | 1.82 | 4.28 | 3.03 | 2.25 | 4.81 | 3.51 | 2.27 | 6.11 | 4.54 | 2.69 | |
| 9 | 3 | Total | 3.23 | 2.50 | 2.20 | 4.86 | 3.55 | 2.39 | 5.78 | 4.34 | 3.52 | 7.98 | 5.94 | 4.53 | 9.06 | 6.97 | 4.69 | 10.38 | 7.95 | 5.00 | |
| | | Sensible | 2.26 | 1.73 | 1.51 | 3.32 | 2.39 | 1.59 | 3.98 | 2.94 | 2.36 | 5.34 | 3.96 | 2.98 | 5.98 | 4.53 | 2.99 | 6.94 | 5.27 | 3.24 | |
| 9 | 5 | Total | 2.62 | 1.97 | 1.72 | 4.29 | 3.10 | 2.04 | 5.06 | 3.76 | 3.01 | 6.69 | 4.92 | 3.72 | 7.85 | | | | | | |

Heating capacities in kW, two-pipe coil

| Water flow rate | | Δt K | Size | 200 | | | 300 | | | 400 | | | 500 | | | 600 | | | 701 | | |
|-----------------|------|-----------------|-------|----------|------|------|-------|-------|------|-------|-------|------|-------|-------|-------|-------|-------|-------|-------|-------|-------|
| l/s | l/h | | | Speed N° | 1 | 2 | 3 | 1 | 2 | 3 | 1 | 2 | 3 | 1 | 2 | 3 | 1 | 2 | 3 | 1 | 2 |
| Water flow rate | | Δt K | Size | 209 | | | 309 | | | 409 | | | 509 | | | 609 | | | 709 | | |
| l/s | l/h | | | Ctrl V | 10 | 6 | 2 | 10 | 6 | 2 | 10 | 6 | 2 | 10 | 6 | 2 | 10 | 6 | 2 | 10 | 6 |
| 0.06 | 200 | 20 | Total | 1.70 | 1.48 | 1.36 | 2.07 | 1.99 | 1.45 | 2.36 | 2.06 | 1.84 | 3.09 | 2.51 | 2.14 | 3.21 | 2.90 | 2.27 | 3.31 | 3.13 | 2.32 |
| 0.13 | 480 | 20 | Total | 2.17 | 1.80 | 1.61 | 2.97 | 2.61 | 1.77 | 3.49 | 2.86 | 2.43 | 4.38 | 3.56 | 2.86 | 4.99 | 4.16 | 2.90 | 5.11 | 4.79 | 3.14 |
| 0.21 | 760 | 20 | Total | 2.37 | 1.93 | 1.71 | 3.37 | 2.84 | 1.88 | 4.02 | 3.18 | 2.65 | 5.02 | 3.95 | 3.09 | 5.94 | 4.72 | 3.11 | 6.31 | 5.65 | 3.48 |
| 0.29 | 1040 | 20 | Total | 2.48 | 1.99 | 1.76 | 3.58 | 2.95 | 1.93 | 4.31 | 3.35 | 2.76 | 5.35 | 4.15 | 3.19 | 6.43 | 4.97 | 3.19 | 7.00 | 6.08 | 3.63 |
| 0.37 | 1320 | 20 | Total | 2.55 | 2.03 | 1.79 | 3.72 | 3.02 | 1.96 | 4.50 | 3.45 | 2.82 | 5.55 | 4.26 | 3.25 | 6.69 | 5.10 | 3.23 | 7.39 | 6.31 | 3.70 |
| 0.44 | 1600 | 20 | Total | 2.59 | 2.06 | 1.81 | 3.80 | 3.06 | 1.97 | 4.61 | 3.51 | 2.86 | 5.66 | 4.32 | 3.28 | 6.84 | 5.17 | 3.25 | 7.63 | 6.44 | 3.74 |
| 0.52 | 1880 | 20 | Total | 2.62 | 2.08 | 1.82 | 3.87 | 3.09 | 1.99 | 4.71 | 3.56 | 2.89 | 5.76 | 4.37 | 3.31 | 6.97 | 5.22 | 3.27 | 7.84 | 6.55 | 3.78 |
| 0.60 | 2160 | 20 | Total | 2.65 | 2.09 | 1.83 | 3.92 | 3.11 | 2.00 | 4.78 | 3.60 | 2.91 | 5.83 | 4.41 | 3.33 | 7.06 | 5.26 | 3.28 | 7.99 | 6.63 | 3.80 |
| 0.68 | 2440 | 20 | Total | 2.67 | 2.10 | 1.84 | 3.96 | 3.13 | 2.01 | 4.84 | 3.63 | 2.93 | 5.88 | 4.43 | 3.34 | 7.13 | 5.29 | 3.29 | 8.11 | 6.69 | 3.82 |
| 0.76 | 2720 | 20 | Total | 2.68 | 2.11 | 1.85 | 4.00 | 3.14 | 2.01 | 4.89 | 3.66 | 2.95 | 5.92 | 4.46 | 3.36 | 7.18 | 5.31 | 3.30 | 8.20 | 6.73 | 3.83 |
| 0.83 | 3000 | 20 | Total | 2.70 | 2.12 | 1.85 | 4.02 | 3.15 | 2.02 | 4.92 | 3.67 | 2.96 | 5.95 | 4.47 | 3.36 | 7.22 | 5.33 | 3.30 | 8.27 | 6.77 | 3.84 |
| 0.06 | 200 | 30 | Total | 2.61 | 2.26 | 2.08 | 3.49 | 3.05 | 2.22 | 3.90 | 3.18 | 2.84 | 5.06 | 4.11 | 3.29 | 4.90 | 4.43 | 3.46 | 4.81 | 4.78 | 3.56 |
| 0.13 | 480 | 30 | Total | 3.30 | 2.72 | 2.44 | 4.52 | 3.95 | 2.68 | 5.31 | 4.33 | 3.68 | 6.64 | 5.39 | 4.32 | 7.61 | 6.33 | 4.39 | 7.83 | 7.31 | 4.78 |
| 0.21 | 760 | 30 | Total | 3.60 | 2.91 | 2.58 | 5.11 | 4.29 | 2.83 | 6.10 | 4.81 | 4.00 | 7.57 | 5.96 | 4.65 | 9.02 | 7.14 | 4.69 | 9.63 | 8.58 | 5.26 |
| 0.29 | 1040 | 30 | Total | 3.75 | 3.01 | 2.65 | 5.42 | 4.45 | 2.90 | 6.53 | 5.06 | 4.16 | 8.07 | 6.25 | 4.81 | 9.72 | 7.49 | 4.80 | 10.62 | 9.19 | 5.47 |
| 0.37 | 1320 | 30 | Total | 3.85 | 3.06 | 2.69 | 5.62 | 4.55 | 2.95 | 6.80 | 5.21 | 4.25 | 8.36 | 6.41 | 4.89 | 10.10 | 7.68 | 4.86 | 11.19 | 9.52 | 5.58 |
| 0.44 | 1600 | 30 | Total | 3.91 | 3.10 | 2.72 | 5.74 | 4.60 | 2.97 | 6.97 | 5.30 | 4.31 | 8.53 | 6.50 | 4.94 | 10.32 | 7.78 | 4.89 | 11.55 | 9.72 | 5.64 |
| 0.52 | 1880 | 30 | Total | 3.96 | 3.13 | 2.74 | 5.84 | 4.65 | 2.99 | 7.11 | 5.37 | 4.35 | 8.67 | 6.57 | 4.98 | 10.50 | 7.86 | 4.91 | 11.84 | 9.87 | 5.68 |
| 0.60 | 2160 | 30 | Total | 3.99 | 3.15 | 2.76 | 5.92 | 4.68 | 3.00 | 7.22 | 5.43 | 4.39 | 8.77 | 6.63 | 5.01 | 10.63 | 7.91 | 4.93 | 12.07 | 9.98 | 5.72 |
| 0.68 | 2440 | 30 | Total | 4.02 | 3.17 | 2.77 | 5.98 | 4.71 | 3.02 | 7.31 | 5.47 | 4.41 | 8.85 | 6.67 | 5.03 | 10.73 | 7.96 | 4.94 | 12.24 | 10.07 | 5.75 |
| 0.76 | 2720 | 30 | Total | 4.05 | 3.18 | 2.78 | 6.03 | 4.73 | 3.02 | 7.37 | 5.50 | 4.43 | 8.91 | 6.70 | 5.04 | 10.81 | 7.99 | 4.95 | 12.38 | 10.13 | 5.77 |
| 0.83 | 3000 | 30 | Total | 4.06 | 3.19 | 2.79 | 6.06 | 4.74 | 3.03 | 7.42 | 5.53 | 4.45 | 8.95 | 6.72 | 5.06 | 10.86 | 8.01 | 4.96 | 12.48 | 10.18 | 5.78 |
| 0.06 | 200 | 40 | Total | 3.54 | 3.06 | 2.81 | 4.76 | 4.15 | 3.02 | 5.33 | 4.35 | 3.87 | 6.01 | 5.22 | 4.48 | 6.63 | 5.99 | 4.68 | 6.53 | 6.47 | 4.83 |
| 0.13 | 480 | 40 | Total | 4.44 | 3.66 | 3.28 | 6.08 | 5.30 | 3.59 | 7.15 | 5.82 | 4.94 | 8.89 | 7.22 | 5.78 | 10.28 | 8.53 | 5.89 | 10.62 | 9.87 | 6.45 |
| 0.21 | 760 | 40 | Total | 4.83 | 3.91 | 3.46 | 6.86 | 5.75 | 3.79 | 8.20 | 6.46 | 5.36 | 10.14 | 7.99 | 6.23 | 12.15 | 9.59 | 6.28 | 13.02 | 11.55 | 7.07 |
| 0.29 | 1040 | 40 | Total | 5.04 | 4.03 | 3.55 | 7.28 | 5.96 | 3.89 | 8.77 | 6.78 | 5.57 | 10.80 | 8.36 | 6.43 | 13.03 | 10.03 | 6.42 | 14.28 | 12.32 | 7.32 |
| 0.37 | 1320 | 40 | Total | 5.16 | 4.11 | 3.61 | 7.54 | 6.09 | 3.94 | 9.13 | 6.98 | 5.69 | 11.19 | 8.57 | 6.54 | 13.54 | 10.27 | 6.49 | 15.04 | 12.76 | 7.46 |
| 0.44 | 1600 | 40 | Total | 5.24 | 4.15 | 3.64 | 7.70 | 6.16 | 3.97 | 9.35 | 7.09 | 5.76 | 11.42 | 8.69 | 6.60 | 13.83 | 10.40 | 6.53 | 15.50 | 13.01 | 7.54 |
| 0.52 | 1880 | 40 | Total | 5.30 | 4.19 | 3.67 | 7.83 | 6.22 | 4.00 | 9.54 | 7.19 | 5.82 | 11.60 | 8.79 | 6.65 | 14.06 | 10.50 | 6.56 | 15.89 | 13.21 | 7.60 |
| 0.60 | 2160 | 40 | Total | 5.35 | 4.22 | 3.69 | 7.93 | 6.26 | 4.02 | 9.68 | 7.26 | 5.86 | 11.73 | 8.86 | 6.69 | 14.23 | 10.58 | 6.58 | 16.18 | 13.36 | 7.64 |
| 0.68 | 2440 | 40 | Total | 5.39 | 4.24 | 3.70 | 8.01 | 6.29 | 4.03 | 9.79 | 7.32 | 5.90 | 11.83 | 8.91 | 6.72 | 14.36 | 10.63 | 6.60 | 16.41 | 13.47 | 7.68 |
| 0.76 | 2720 | 40 | Total | 5.42 | 4.26 | 3.72 | 8.07 | 6.32 | 4.04 | 9.88 | 7.37 | 5.93 | 11.91 | 8.96 | 6.74 | 14.46 | 10.67 | 6.61 | 16.59 | 13.55 | 7.70 |
| 0.83 | 3000 | 40 | Total | 5.44 | 4.27 | 3.73 | 8.12 | 6.34 | 4.05 | 9.94 | 7.40 | 5.95 | 11.96 | 8.98 | 6.75 | 14.53 | 10.70 | 6.62 | 16.72 | 13.61 | 7.72 |
| 0.06 | 200 | 50 | Total | 4.49 | 3.87 | 3.55 | 5.60 | 5.26 | 3.81 | 6.34 | 5.52 | 4.91 | 7.60 | 6.64 | 5.70 | 8.39 | 7.58 | 5.92 | 8.29 | 8.19 | 6.13 |
| 0.13 | 480 | 50 | Total | 5.60 | 4.60 | 4.12 | 7.67 | 6.66 | 4.51 | 9.01 | 7.33 | 6.21 | 11.14 | 9.05 | 7.25 | 13.00 | 10.76 | 7.41 | 13.46 | 12.48 | 8.14 |
| 0.21 | 760 | 50 | Total | 6.08 | 4.91 | 4.35 | 8.64 | 7.21 | 4.76 | 10.32 | 8.12 | 6.73 | 12.73 | 10.02 | 7.81 | 15.30 | 12.05 | 7.87 | 16.44 | 14.54 | 8.88 |
| 0.29 | 1040 | 50 | Total | 6.33 | 5.06 | 4.46 | 9.16 | 7.48 | 4.87 | 11.03 | 8.52 | 6.99 | 13.55 | 10.48 | 8.06 | 16.37 | 12.58 | 8.04 | 17.97 | 15.48 | 9.19 |
| 0.37 | 1320 | 50 | Total | 6.49 | 5.15 | 4.53 | 9.48 | 7.63 | 4.94 | 11.47 | 8.76 | 7.14 | 14.03 | 10.75 | 8.19 | 16.99 | 12.87 | 8.13 | 18.92 | 16.01 | 9.35 |
| 0.44 | 1600 | 50 | Total | 6.58 | 5.21 | 4.57 | 9.67 | 7.72 | 4.98 | 11.75 | 8.90 | 7.23 | 14.31 | 10.89 | 8.27 | 17.35 | 13.03 | 8.17 | 19.49 | 16.32 | 9.45 |
| 0.52 | 1880 | 50 | Total | 6.66 | 5.26 | 4.60 | 9.83 | 7.79 | 5.01 | 11.98 | 9.02 | 7.30 | 14.54 | 11.01 | 8.33 | 17.63 | 13.16 | 8.21 | 19.97 | 16.57 | 9.52 |
| 0.60 | 2160 | 50 | Total | 6.72 | 5.29 | 4.62 | 9.96 | 7.84 | 5.03 | 12.15 | 9.11 | 7.35 | 14.70 | 11.10 | 8.38 | 17.84 | 13.24 | 8.23 | 20.32 | 16.74 | 9.57 |
| 0.68 | 2440 | 50 | Total | 6.76 | 5.32 | 4.64 | 10.05 | 7.88 | 5.05 | 12.29 | 9.18 | 7.39 | 14.82 | 11.17 | 8.41 | 17.99 | 13.31 | 8.25 | 20.60 | 16.87 | 9.61 |
| 0.76 | 2720 | 50 | Total | 6.80 | 5.34 | 4.66 | 10.13 | 7.92 | 5.06 | 12.40 | 9.23 | 7.43 | 14.92 | 11.22 | 8.44 | 18.12 | 13.36 | 8.27 | 20.82 | 16.98 | 9.65 |
| 0.83 | 3000 | 50 | Total | 6.83 | 5.36 | 4.67 | 10.19 | 7.94 | 5.07 | 12.48 | 9.27 | 7.45 | 14.99 | 11.25 | 8.45 | 18.20 | 13.40 | 8.28 | 20.98 | 17.05 | 9.67 |
| 0.06 | 200 | 60 | Total | 5.45 | 4.69 | 4.29 | 6.81 | 6.37 | 4.62 | 7.71 | 6.26 | 5.95 | 9.25 | 8.08 | 6.94 | 10.17 | 9.18 | 7.18 | 10.07 | 9.93 | 7.45 |
| 0.13 | 480 | 60 | Total | 6.76 | 5.56 | 4.97 | 9.27 | 8.02 | 5.43 | 10.88 | 8.84 | 7.48 | 13.40 | 10.89 | 8.72 | 15.74 | 13.00 | 8.94 | 16.34 | 15.10 | 9.84 |
| 0.21 | 760 | 60 | Total | 7.34 | 5.92 | 5.24 | 10.43 | 8.69 | 5.73 | 12.46 | 9.79 | 8.11 | 15.33 | 12.06 | 9.39 | 18.46 | 14.51 | 9.47 | 19.88 | 17.54 | 10.70 |
| 0.29 | 1040 | 60 | Total | 7.64 | 6.10 | 5.37 | 11.05 | 9.00 | 5.86 | 13.31 | 10.26 | 8.41 | 16.31 | 12.61 | 9.69 | 19.73 | 15.14 | 9.67 | 21.70 | 18.65 | 11.06 |
| 0.37 | 1320 | 60 | Total | 7.82 | 6.21 | 5.45 | 11.42 | 9.18 | 5.94 | 13.83 | 10.55 | 8.59 | 16.89 | 12.93 | 9.85 | 20.46 | 15.48 | 9.77 | 22.83 | 19.28 | 11.25 |
| 0.44 | 1600 | 60 | Total | 7.93 | 6.27 | 5.50 | 11.65 | 9.28 | 5.98 | 14.16 | 10.72 | 8.69 | 17.22 | 13.10 | 9.94 | 20.88 | 15.67 | 9.82 | 23.51 | 19.64 | 11.36 |
| 0.52 | 1880 | 60 | Total | 8.02 | 6.33 | 5.53 | 11.85 | 9.37 | 6.02 | 14.43 | 10.86 | 8.78 | 17.49 | 13.24 | 10.02 | 21.22 | 15.82 | 9.86 | 24.07 | 19.93 | 11.45 |
| 0.60 | 2160 | 60 | Total | 8.09 | 6.37 | 5.56 | 11.99 | 9.43 | 6.05 | 14.64 | 10.96 | 8.84 | 17.68 | 13.35 | 10.07 | 21.46 | 15.92 | 9.89 | 24.49 | 20.14 | 11.51 |
| 0.68 | 2440 | 60 | Total | 8.15 | 6.40 | 5.59 | 12.11 | 9.48 | 6.07 | 14.80 | 11.05 | 8.89 | 17.83 | 13.42 | 10.11 | 21.65 | 16.00 | 9.91 | 24.82 | 20.30 | 11.56 |
| 0.76 | 2720 | 60 | Total | 8.19 | 6.43 | 5.61 | 12.20 | 9.52 | 6.08 | 14.93 | 11.11 | 8.93 | 17.94 | 13.48 | 10.14 | 21.79 | 16.05 | 9.93 | 25.08 | 20.42 | 11.59 |
| 0.83 | 3000 | 60 | Total | 8.22 | 6.45 | 5.62 | 12.27 | 9.54 | 6.09 | 15.02 | 11.16 | 8.96 | 18.02 | 13.53 | 10.16 | 21.89 | 16.09 | 9.94 | 25.27 | 20.50 | 11.62 |
| 0.06 | 200 | 70 | Total | 6.42 | 5.50 | 5.03 | 8.04 | 7.49 | 5.43 | 9.09 | 7.38 | 7.01 | 11.75 | 9.55 | 8.14 | 11.96 | 10.80 | 8.45 | 11.87 | 11.69 | 8.79 |
| 0.13 | 480 | 70 | Total | 7.94 | 6.52 | 5.82 | 10.87 | 9.39 | 6.36 | 12.77 | 10.36 | 8.77 | 15.66 | 12.73 | 10.19 | 18.50 | 15.27 | 10.48 | 19.25 | 17.75 | 11.55 |
| 0.21 | 760 | 70 | Total | 8.61 | 6.93 | 6.13 | 12.24 | 10.16 | 6.70 | 14.61 | 11.47 | 9.50 | 17.93 | 14.11 | 10.98 | 21.63 | 16.9 | | | | |

Cooling capacities in kW, four-pipe coil

| EAT | EWT | Δt K | Size Speed N° | 200 | | | 300 | | | 400 | | | 600 | | | 701 | | |
|---------------------|-----|----------|------------------|------|------|------|------|------|------|------|------|------|------|------|------|-------|------|------|
| | | | | 1 | 2 | 3 | 1 | 2 | 3 | 1 | 2 | 3 | 1 | 2 | 3 | 1 | 2 | 3 |
| EAT | EWT | Δt K | Size Ctrl V | 209 | | | 309 | | | 409 | | | 609 | | | 709 | | |
| | | | | 10 | 6 | 2 | 10 | 6 | 2 | 10 | 6 | 2 | 10 | 6 | 2 | 10 | 6 | 2 |
| 17°C wb/ 23°C db | 5 | 3 | Total | 2.75 | 2.08 | 1.80 | 3.78 | 2.97 | 2.21 | 4.72 | 3.80 | 3.09 | 7.40 | 5.60 | 3.52 | 8.91 | 7.47 | 4.25 |
| | | | Sensible | 1.99 | 1.48 | 1.26 | 2.63 | 2.03 | 1.48 | 3.34 | 2.63 | 2.12 | 5.05 | 3.79 | 2.37 | 6.10 | 5.03 | 2.85 |
| | 5 | 5 | Total | 2.02 | 1.52 | 1.34 | 3.18 | 2.47 | 1.81 | 3.58 | 2.85 | 2.20 | 6.08 | 4.52 | 2.61 | 7.39 | 6.26 | 3.32 |
| | | | Sensible | 1.68 | 1.24 | 1.06 | 2.34 | 1.79 | 1.29 | 2.80 | 2.18 | 1.70 | 4.44 | 3.28 | 1.95 | 5.41 | 4.47 | 2.42 |
| | 5 | 7 | Total | 1.43 | 1.08 | 0.97 | 2.43 | 1.83 | 1.36 | 1.93 | 1.54 | 1.19 | 4.45 | 3.02 | 1.58 | 5.61 | 4.77 | 2.10 |
| | | | Sensible | 1.39 | 1.03 | 0.90 | 1.96 | 1.48 | 1.07 | 1.90 | 1.50 | 1.17 | 3.69 | 2.57 | 1.42 | 4.58 | 3.79 | 1.82 |
| | 5 | 9 | Total | 1.09 | 0.83 | 0.76 | 1.58 | 1.17 | 0.93 | 1.16 | 1.06 | 0.90 | 2.73 | 1.88 | 1.08 | 3.59 | 3.08 | 1.32 |
| | | | Sensible | 1.09 | 0.83 | 0.76 | 1.49 | 1.11 | 0.85 | 1.16 | 1.06 | 0.90 | 2.61 | 1.83 | 1.07 | 3.38 | 2.83 | 1.31 |
| | 7 | 3 | Total | 2.17 | 1.65 | 1.43 | 3.08 | 2.41 | 1.80 | 3.80 | 3.06 | 2.47 | 6.00 | 4.54 | 2.82 | 7.23 | 6.08 | 3.43 |
| | | | Sensible | 1.74 | 1.29 | 1.10 | 2.31 | 1.78 | 1.29 | 2.92 | 2.29 | 1.84 | 4.41 | 3.30 | 2.05 | 5.35 | 4.39 | 2.47 |
| | 7 | 5 | Total | 1.52 | 1.14 | 1.01 | 2.49 | 1.88 | 1.40 | 2.61 | 2.02 | 1.51 | 4.66 | 3.41 | 1.84 | 5.73 | 4.85 | 2.41 |
| | | | Sensible | 1.45 | 1.08 | 0.93 | 2.02 | 1.51 | 1.10 | 2.33 | 1.78 | 1.37 | 3.79 | 2.78 | 1.59 | 4.66 | 3.83 | 2.01 |
| | 7 | 7 | Total | 1.16 | 0.88 | 0.78 | 1.70 | 1.25 | 0.94 | 1.41 | 1.14 | 0.92 | 3.08 | 2.13 | 1.14 | 4.06 | 3.39 | 1.48 |
| | | | Sensible | 1.16 | 0.88 | 0.78 | 1.58 | 1.17 | 0.86 | 1.41 | 1.14 | 0.92 | 2.90 | 2.02 | 1.13 | 3.79 | 3.09 | 1.44 |
| | 7 | 9 | Total | 0.82 | 0.64 | 0.60 | 1.12 | 0.87 | 0.69 | 0.88 | 0.81 | 0.70 | 1.90 | 1.33 | 0.85 | 2.52 | 2.16 | 1.01 |
| | | | Sensible | 0.82 | 0.64 | 0.60 | 1.12 | 0.87 | 0.68 | 0.88 | 0.81 | 0.70 | 1.90 | 1.33 | 0.85 | 2.52 | 2.15 | 1.01 |
| | 9 | 3 | Total | 1.60 | 1.18 | 1.03 | 2.38 | 1.86 | 1.39 | 2.89 | 2.31 | 1.85 | 4.61 | 3.48 | 2.12 | 5.57 | 4.70 | 2.60 |
| | | | Sensible | 1.51 | 1.10 | 0.93 | 1.98 | 1.52 | 1.10 | 2.49 | 1.94 | 1.55 | 3.79 | 2.83 | 1.74 | 4.60 | 3.77 | 2.10 |
| | 9 | 5 | Total | 1.22 | 0.91 | 0.80 | 1.73 | 1.31 | 0.97 | 1.79 | 1.38 | 1.07 | 3.34 | 2.39 | 1.29 | 4.15 | 3.51 | 1.65 |
| | | | Sensible | 1.22 | 0.91 | 0.80 | 1.62 | 1.22 | 0.89 | 1.79 | 1.37 | 1.07 | 3.14 | 2.25 | 1.25 | 3.89 | 3.20 | 1.57 |
| | 9 | 7 | Total | 0.89 | 0.67 | 0.61 | 1.21 | 0.89 | 0.68 | 0.92 | 0.83 | 0.71 | 2.15 | 1.50 | 0.84 | 2.81 | 2.33 | 1.07 |
| | | | Sensible | 0.89 | 0.67 | 0.61 | 1.21 | 0.89 | 0.68 | 0.92 | 0.83 | 0.71 | 2.15 | 1.50 | 0.84 | 2.81 | 2.31 | 1.07 |
| | 9 | 9 | Total | 0.57 | 0.49 | 0.47 | 0.79 | 0.62 | 0.50 | 0.61 | 0.58 | 0.51 | 1.15 | 0.92 | 0.62 | 1.55 | 1.41 | 0.74 |
| | | | Sensible | 0.57 | 0.49 | 0.47 | 0.79 | 0.62 | 0.50 | 0.61 | 0.58 | 0.51 | 1.15 | 0.92 | 0.62 | 1.55 | 1.41 | 0.74 |
| 11 | 3 | Total | 1.26 | 0.93 | 0.81 | 1.70 | 1.31 | 0.95 | 2.07 | 1.61 | 1.26 | 3.32 | 2.46 | 1.46 | 4.04 | 3.39 | 1.81 | |
| | | Sensible | 1.26 | 0.93 | 0.81 | 1.64 | 1.25 | 0.89 | 2.05 | 1.58 | 1.25 | 3.18 | 2.35 | 1.41 | 3.88 | 3.18 | 1.73 | |
| 11 | 5 | Total | 0.94 | 0.71 | 0.63 | 1.26 | 0.94 | 0.68 | 1.25 | 0.99 | 0.77 | 2.45 | 1.66 | 0.93 | 3.08 | 2.55 | 1.19 | |
| | | Sensible | 0.94 | 0.71 | 0.63 | 1.26 | 0.94 | 0.68 | 1.25 | 0.99 | 0.77 | 2.45 | 1.66 | 0.93 | 3.08 | 2.55 | 1.19 | |
| 11 | 7 | Total | 0.60 | 0.47 | 0.44 | 0.81 | 0.63 | 0.50 | 0.63 | 0.58 | 0.50 | 1.38 | 0.96 | 0.61 | 1.83 | 1.57 | 0.73 | |
| | | Sensible | 0.60 | 0.47 | 0.44 | 0.81 | 0.63 | 0.50 | 0.63 | 0.58 | 0.50 | 1.38 | 0.96 | 0.61 | 1.83 | 1.57 | 0.73 | |
| 11 | 9 | Total | 0.39 | 0.34 | 0.33 | 0.46 | 0.37 | 0.31 | 0.38 | 0.37 | 0.33 | 0.70 | 0.59 | 0.41 | 0.81 | 0.81 | 0.48 | |
| | | Sensible | 0.39 | 0.34 | 0.33 | 0.46 | 0.37 | 0.31 | 0.38 | 0.37 | 0.33 | 0.70 | 0.59 | 0.41 | 0.81 | 0.81 | 0.48 | |
| 13 | 3 | Total | 0.98 | 0.73 | 0.63 | 1.30 | 0.95 | 0.69 | 1.57 | 1.20 | 0.92 | 2.51 | 1.84 | 1.04 | 3.10 | 2.54 | 1.33 | |
| | | Sensible | 0.98 | 0.73 | 0.63 | 1.30 | 0.95 | 0.69 | 1.57 | 1.20 | 0.92 | 2.51 | 1.84 | 1.04 | 3.10 | 2.54 | 1.33 | |
| 13 | 5 | Total | 0.65 | 0.49 | 0.45 | 0.89 | 0.65 | 0.49 | 0.71 | 0.60 | 0.51 | 1.59 | 1.12 | 0.61 | 2.13 | 1.70 | 0.79 | |
| | | Sensible | 0.65 | 0.49 | 0.45 | 0.89 | 0.65 | 0.49 | 0.71 | 0.60 | 0.51 | 1.59 | 1.12 | 0.61 | 2.13 | 1.70 | 0.79 | |
| 13 | 7 | Total | 0.37 | 0.32 | 0.30 | 0.47 | 0.38 | 0.31 | 0.37 | 0.36 | 0.31 | 0.68 | 0.57 | 0.39 | 0.81 | 0.79 | 0.46 | |
| | | Sensible | 0.37 | 0.32 | 0.30 | 0.47 | 0.38 | 0.31 | 0.37 | 0.36 | 0.31 | 0.68 | 0.57 | 0.39 | 0.81 | 0.79 | 0.46 | |
| 13 | 9 | Total | 0.21 | 0.18 | 0.18 | 0.16 | 0.14 | 0.14 | 0.17 | 0.17 | 0.15 | 0.32 | 0.28 | 0.20 | 0.37 | 0.38 | 0.23 | |
| | | Sensible | 0.21 | 0.18 | 0.18 | 0.16 | 0.14 | 0.14 | 0.17 | 0.17 | 0.15 | 0.32 | 0.28 | 0.20 | 0.37 | 0.38 | 0.23 | |
| 19°C wb/ 25°C db | 5 | 3 | Total | 3.53 | 2.67 | 2.30 | 4.74 | 3.73 | 2.77 | 6.03 | 4.84 | 3.95 | 9.34 | 7.09 | 4.48 | 11.22 | 9.40 | 5.36 |
| | | | Sensible | 2.24 | 1.67 | 1.42 | 2.93 | 2.28 | 1.67 | 3.76 | 2.97 | 2.41 | 5.68 | 4.28 | 2.69 | 6.86 | 5.67 | 3.23 |
| | 5 | 5 | Total | 2.83 | 2.13 | 1.86 | 4.15 | 3.25 | 2.41 | 4.93 | 3.95 | 3.16 | 8.02 | 6.07 | 3.68 | 9.68 | 8.17 | 4.52 |
| | | | Sensible | 1.95 | 1.44 | 1.23 | 2.68 | 2.07 | 1.51 | 3.29 | 2.58 | 2.06 | 5.10 | 3.82 | 2.33 | 6.18 | 5.12 | 2.84 |
| | 5 | 7 | Total | 2.01 | 1.53 | 1.37 | 3.48 | 2.63 | 1.96 | 3.45 | 2.64 | 1.97 | 6.48 | 4.74 | 2.50 | 7.99 | 6.76 | 3.31 |
| | | | Sensible | 1.62 | 1.20 | 1.04 | 2.37 | 1.78 | 1.30 | 2.63 | 1.99 | 1.53 | 4.42 | 3.24 | 1.82 | 5.44 | 4.50 | 2.32 |
| | 5 | 9 | Total | 1.41 | 1.07 | 0.98 | 2.58 | 1.91 | 1.42 | 1.60 | 1.36 | 1.14 | 4.44 | 2.96 | 1.47 | 5.85 | 5.03 | 1.99 |
| | | | Sensible | 1.34 | 1.00 | 0.89 | 1.96 | 1.46 | 1.06 | 1.60 | 1.33 | 1.11 | 3.55 | 2.45 | 1.33 | 4.52 | 3.76 | 1.71 |
| | 7 | 3 | Total | 2.95 | 2.24 | 1.94 | 4.03 | 3.18 | 2.37 | 5.08 | 4.09 | 3.34 | 7.95 | 6.04 | 3.81 | 9.55 | 8.02 | 4.57 |
| | | | Sensible | 1.99 | 1.48 | 1.26 | 2.62 | 2.03 | 1.49 | 3.35 | 2.64 | 2.14 | 5.06 | 3.80 | 2.39 | 6.11 | 5.04 | 2.86 |
| | 7 | 5 | Total | 2.21 | 1.67 | 1.47 | 3.42 | 2.67 | 1.97 | 3.93 | 3.14 | 2.49 | 6.56 | 4.92 | 2.93 | 7.93 | 6.73 | 3.63 |
| | | | Sensible | 1.70 | 1.25 | 1.07 | 2.36 | 1.81 | 1.31 | 2.85 | 2.23 | 1.77 | 4.47 | 3.32 | 2.01 | 5.42 | 4.48 | 2.46 |
| | 7 | 7 | Total | 1.51 | 1.14 | 1.02 | 2.67 | 2.02 | 1.50 | 2.16 | 1.71 | 1.29 | 4.90 | 3.46 | 1.74 | 6.14 | 5.23 | 2.30 |
| | | | Sensible | 1.41 | 1.05 | 0.91 | 2.01 | 1.51 | 1.10 | 2.01 | 1.57 | 1.22 | 3.76 | 2.71 | 1.48 | 4.65 | 3.84 | 1.88 |
| | 7 | 9 | Total | 1.13 | 0.85 | 0.75 | 1.72 | 1.25 | 0.99 | 1.18 | 1.07 | 0.91 | 2.92 | 2.01 | 1.10 | 3.96 | 3.34 | 1.40 |
| | | | Sensible | 1.13 | 0.85 | 0.74 | 1.54 | 1.14 | 0.86 | 1.18 | 1.07 | 0.91 | 2.71 | 1.90 | 1.08 | 3.57 | 2.92 | 1.35 |
| | 9 | 3 | Total | 2.34 | 1.78 | 1.54 | 3.28 | 2.58 | 1.94 | 4.08 | 3.30 | 2.68 | 6.45 | 4.89 | 3.07 | 7.75 | 6.54 | 3.71 |
| | | | Sensible | 1.75 | 1.30 | 1.10 | 2.30 | 1.78 | 1.30 | 2.93 | 2.30 | 1.85 | 4.42 | 3.31 | 2.07 | 5.35 | 4.40 | 2.49 |
| | 9 | 5 | Total | 1.60 | 1.20 | 1.04 | 2.67 | 2.06 | 1.52 | 2.88 | 2.28 | 1.71 | 5.06 | 3.74 | 2.03 | 6.18 | 5.24 | 2.72 |
| | | | Sensible | 1.47 | 1.09 | 0.91 | 2.03 | 1.54 | 1.11 | 2.39 | 1.86 | 1.42 | 3.83 | 2.83 | 1.63 | 4.68 | 3.86 | 2.08 |
| | 9 | 7 | Total | 1.19 | 0.90 | 0.76 | 1.83 | 1.36 | 1.00 | 1.50 | 1.20 | 0.94 | 3.39 | 2.27 | 1.21 | 4.36 | 3.72 | 1.57 |
| | | | Sensible | 1.19 | 0.90 | 0.76 | 1.61 | 1.21 | 0.88 | 1.50 | 1.20 | 0.94 | 3.05 | 2.08 | 1.16 | 3.85 | 3.19 | 1.47 |
| | 9 | 9 | Total | 0.85 | 0.65 | 0.61 | 1.16 | 0.90 | 0.71 | 0.89 | 0.82 | 0.71 | 2.00 | 1.39 | 0.85 | 2.63 | 2.28 | 1.02 |
| | | | Sensible | 0.85 | 0.65 | 0.61 | 1.15 | 0.89 | 0.69 | 0.89 | 0.82 | 0.71 | 2.00 | 1.39 | 0.85 | 2.62 | 2.22 | 1.02 |
| 11 | 3 | Total | 1.70 | 1.28 | 1.12 | 2.53 | 1.99 | 1.49 | 3.10 | 2.49 | 2.00 | 4.93 | 3.74 | 2.30 | 5.95 | 5.03 | 2.80 | |
| | | Sensible | 1.50 | 1.11 | 0.94 | 1.99 | 1.53 | 1.11 | 2.51 | 1.96 | 1.57 | 3.79 | 2.83 | 1.75 | 4.61 | 3.78 | 2.12 | |
| 11 | 5 | Total | 1.24 | 0.93 | 0.79 | 1.86 | 1.40 | 1.04 | 1.91 | 1.45 | 1.11 | 3.56 | 2.58 | 1.37 | 4.43 | 3.74 | 1.76 | |
| | | Sensible | 1.24 | 0.93 | 0.78 | 1.66 | 1.24 | 0.90 | 1.87 | 1.42 | 1.10 | 3.18 | 2.33 | 1.28 | 3.92 | | | |

Cooling capacities in kW, four-pipe coil (continued)

| EAT | EWT | Δt K | Size 200 | | | 300 | | | 400 | | | 600 | | | 701 | | | | |
|---------------------|---------------------|---------|----------|----------|------|------|------|------|------|------|------|------|-------|-------|------|-------|-------|-------|------|
| | | | Speed N° | 1 | 2 | 3 | 1 | 2 | 3 | 1 | 2 | 3 | 1 | 2 | 3 | 1 | 2 | 3 | |
| EAT | EWT | Δt K | Ctrl V | Size 209 | | | 309 | | | 409 | | | 609 | | | 709 | | | |
| | | | | 10 | 6 | 2 | 10 | 6 | 2 | 10 | 6 | 2 | 10 | 6 | 2 | 10 | 6 | 2 | |
| 19°C wb/ 27°C db | 5 | 3 | Total | 3.53 | 2.67 | 2.30 | 4.73 | 3.73 | 2.77 | 6.03 | 4.84 | 3.95 | 9.34 | 7.09 | 4.47 | 11.22 | 9.39 | 5.36 | |
| | | | Sensible | 2.54 | 1.89 | 1.60 | 3.30 | 2.56 | 1.86 | 4.25 | 3.34 | 2.70 | 6.37 | 4.79 | 3.01 | 7.70 | 6.33 | 3.60 | |
| | 5 | 5 | Total | 2.83 | 2.13 | 1.86 | 4.17 | 3.26 | 2.43 | 5.00 | 3.99 | 3.19 | 8.05 | 6.08 | 3.69 | 9.74 | 8.20 | 4.53 | |
| | | | Sensible | 2.25 | 1.66 | 1.41 | 3.04 | 2.34 | 1.70 | 3.78 | 2.95 | 2.36 | 5.79 | 4.33 | 2.65 | 7.03 | 5.79 | 3.22 | |
| | 5 | 7 | Total | 2.12 | 1.59 | 1.37 | 3.56 | 2.69 | 2.00 | 3.67 | 2.84 | 2.14 | 6.65 | 4.88 | 2.59 | 8.19 | 6.92 | 3.44 | |
| | | | Sensible | 1.96 | 1.45 | 1.22 | 2.75 | 2.06 | 1.50 | 3.15 | 2.40 | 1.86 | 5.15 | 3.78 | 2.15 | 6.32 | 5.20 | 2.73 | |
| | 5 | 9 | Total | 1.70 | 1.24 | 1.11 | 2.72 | 2.03 | 1.50 | 2.20 | 1.76 | 1.37 | 5.01 | 3.38 | 1.77 | 6.36 | 5.41 | 2.34 | |
| | | | Sensible | 1.70 | 1.24 | 1.08 | 2.33 | 1.74 | 1.27 | 2.20 | 1.75 | 1.37 | 4.38 | 3.02 | 1.68 | 5.48 | 4.53 | 2.14 | |
| | 7 | 3 | Total | 2.95 | 2.24 | 1.94 | 4.02 | 3.18 | 2.37 | 5.09 | 4.09 | 3.34 | 7.94 | 6.03 | 3.81 | 9.54 | 8.01 | 4.56 | |
| | | | Sensible | 2.30 | 1.70 | 1.45 | 2.98 | 2.31 | 1.68 | 3.83 | 3.00 | 2.43 | 5.74 | 4.31 | 2.70 | 6.95 | 5.81 | 3.44 | |
| | 7 | 5 | Total | 2.20 | 1.65 | 1.45 | 3.50 | 2.70 | 2.00 | 4.10 | 3.25 | 2.60 | 6.70 | 5.00 | 3.00 | 8.08 | 6.80 | 3.80 | |
| | | | Sensible | 2.00 | 1.48 | 1.27 | 2.70 | 2.10 | 1.50 | 3.30 | 2.60 | 2.05 | 5.10 | 3.80 | 2.20 | 6.29 | 5.20 | 2.70 | |
| | 7 | 7 | Total | 1.73 | 1.29 | 1.15 | 2.79 | 2.10 | 1.56 | 2.70 | 2.08 | 1.58 | 5.22 | 3.78 | 1.99 | 6.48 | 5.48 | 2.58 | |
| | | | Sensible | 1.73 | 1.27 | 1.10 | 2.38 | 1.79 | 1.30 | 2.61 | 2.00 | 1.55 | 4.51 | 3.29 | 1.82 | 5.57 | 4.57 | 2.30 | |
| | 7 | 9 | Total | 1.43 | 1.08 | 0.97 | 2.06 | 1.51 | 1.13 | 1.71 | 1.39 | 1.14 | 3.74 | 2.59 | 1.39 | 4.94 | 4.09 | 1.81 | |
| | | | Sensible | 1.43 | 1.08 | 0.97 | 1.95 | 1.44 | 1.07 | 1.71 | 1.39 | 1.14 | 3.57 | 2.51 | 1.39 | 4.68 | 3.80 | 1.78 | |
| | 9 | 3 | Total | 2.34 | 1.78 | 1.54 | 3.31 | 2.60 | 1.95 | 4.15 | 3.34 | 2.71 | 6.49 | 4.92 | 3.09 | 7.82 | 6.58 | 3.73 | |
| | | | Sensible | 2.05 | 1.52 | 1.28 | 2.67 | 2.05 | 1.49 | 3.41 | 2.67 | 2.15 | 5.11 | 3.82 | 2.38 | 6.20 | 5.08 | 2.87 | |
| | 9 | 5 | Total | 1.79 | 1.34 | 1.17 | 2.76 | 2.13 | 1.56 | 3.11 | 2.47 | 1.88 | 5.26 | 3.89 | 2.23 | 6.41 | 5.43 | 2.85 | |
| | | | Sensible | 1.77 | 1.31 | 1.12 | 2.39 | 1.82 | 1.30 | 2.89 | 2.25 | 1.75 | 4.55 | 3.36 | 1.99 | 5.56 | 4.56 | 2.48 | |
| | 9 | 7 | Total | 1.49 | 1.11 | 0.98 | 2.10 | 1.57 | 1.15 | 2.09 | 1.63 | 1.26 | 4.03 | 2.81 | 1.53 | 5.05 | 4.24 | 1.97 | |
| | | | Sensible | 1.49 | 1.11 | 0.98 | 1.99 | 1.49 | 1.08 | 2.09 | 1.63 | 1.26 | 3.85 | 2.69 | 1.51 | 4.80 | 3.95 | 1.91 | |
| | 9 | 9 | Total | 1.16 | 0.88 | 0.79 | 1.58 | 1.16 | 0.89 | 1.23 | 1.09 | 0.92 | 2.84 | 1.99 | 1.10 | 3.73 | 3.07 | 1.41 | |
| | | | Sensible | 1.16 | 0.88 | 0.79 | 1.58 | 1.16 | 0.89 | 1.23 | 1.09 | 0.92 | 2.84 | 1.99 | 1.10 | 3.73 | 3.04 | 1.41 | |
| | 11 | 3 | Total | 1.83 | 1.37 | 1.18 | 2.61 | 2.04 | 1.53 | 3.24 | 2.59 | 2.08 | 5.07 | 3.83 | 2.36 | 6.13 | 5.16 | 2.88 | |
| | | | Sensible | 1.81 | 1.34 | 1.14 | 2.35 | 1.80 | 1.30 | 2.99 | 2.33 | 1.87 | 4.50 | 3.35 | 2.07 | 5.47 | 4.47 | 2.50 | |
| | 11 | 5 | Total | 1.53 | 1.14 | 0.99 | 2.11 | 1.57 | 1.15 | 2.44 | 1.86 | 1.43 | 4.06 | 2.98 | 1.67 | 5.01 | 4.17 | 2.13 | |
| | | | Sensible | 1.53 | 1.14 | 0.99 | 2.04 | 1.51 | 1.10 | 2.44 | 1.85 | 1.43 | 3.92 | 2.87 | 1.63 | 4.83 | 3.96 | 2.06 | |
| | 11 | 7 | Total | 1.21 | 0.91 | 0.81 | 1.63 | 1.21 | 0.89 | 1.58 | 1.25 | 0.97 | 3.13 | 2.15 | 1.20 | 3.99 | 3.31 | 1.53 | |
| | | | Sensible | 1.21 | 0.91 | 0.81 | 1.63 | 1.21 | 0.89 | 1.58 | 1.25 | 0.97 | 3.13 | 2.15 | 1.20 | 3.99 | 3.29 | 1.53 | |
| | 11 | 9 | Total | 0.88 | 0.67 | 0.62 | 1.19 | 0.91 | 0.70 | 0.91 | 0.83 | 0.72 | 2.08 | 1.45 | 0.86 | 2.73 | 2.32 | 1.03 | |
| | | | Sensible | 0.88 | 0.67 | 0.62 | 1.19 | 0.91 | 0.70 | 0.91 | 0.83 | 0.72 | 2.08 | 1.45 | 0.86 | 2.73 | 2.32 | 1.03 | |
| | 13 | 3 | Total | 1.56 | 1.15 | 0.99 | 2.01 | 1.54 | 1.12 | 2.55 | 1.97 | 1.57 | 3.93 | 2.92 | 1.78 | 4.79 | 3.95 | 2.17 | |
| | | | Sensible | 1.56 | 1.15 | 0.99 | 2.00 | 1.53 | 1.09 | 2.55 | 1.97 | 1.57 | 3.88 | 2.88 | 1.76 | 4.74 | 3.87 | 2.14 | |
| | 13 | 5 | Total | 1.25 | 0.94 | 0.82 | 1.66 | 1.24 | 0.90 | 1.93 | 1.45 | 1.13 | 3.25 | 2.36 | 1.31 | 4.03 | 3.32 | 1.64 | |
| | | | Sensible | 1.25 | 0.94 | 0.82 | 1.66 | 1.24 | 0.90 | 1.93 | 1.45 | 1.13 | 3.25 | 2.36 | 1.31 | 4.03 | 3.32 | 1.64 | |
| | 13 | 7 | Total | 0.93 | 0.70 | 0.63 | 1.27 | 0.93 | 0.70 | 1.05 | 0.87 | 0.73 | 2.28 | 1.61 | 0.88 | 3.07 | 2.45 | 1.13 | |
| | | | Sensible | 0.93 | 0.70 | 0.63 | 1.27 | 0.93 | 0.70 | 1.05 | 0.87 | 0.73 | 2.28 | 1.61 | 0.88 | 3.07 | 2.45 | 1.13 | |
| | 13 | 9 | Total | 0.59 | 0.49 | 0.47 | 0.83 | 0.65 | 0.52 | 0.63 | 0.60 | 0.52 | 1.30 | 0.94 | 0.63 | 1.75 | 1.55 | 0.75 | |
| | | | Sensible | 0.59 | 0.49 | 0.47 | 0.83 | 0.65 | 0.52 | 0.63 | 0.60 | 0.52 | 1.30 | 0.94 | 0.63 | 1.75 | 1.55 | 0.75 | |
| | 21°C wb/ 29°C db | 5 | 3 | Total | 4.38 | 3.31 | 2.84 | 5.78 | 4.54 | 3.38 | 7.42 | 5.95 | 4.86 | 11.41 | 8.67 | 5.49 | 13.70 | 11.45 | 6.57 |
| | | | | Sensible | 2.80 | 2.08 | 1.77 | 3.61 | 2.80 | 2.05 | 4.66 | 3.68 | 2.98 | 6.99 | 5.27 | 3.32 | 8.44 | 6.96 | 3.97 |
| | | 5 | 5 | Total | 3.68 | 2.79 | 2.42 | 5.21 | 4.09 | 3.05 | 6.40 | 5.15 | 4.16 | 10.16 | 7.70 | 4.78 | 12.24 | 10.30 | 5.81 |
| | | | | Sensible | 2.51 | 1.86 | 1.58 | 3.37 | 2.60 | 1.90 | 4.23 | 3.33 | 2.68 | 6.45 | 4.84 | 3.01 | 7.81 | 6.45 | 3.63 |
| | | 5 | 7 | Total | 2.89 | 2.19 | 1.93 | 4.56 | 3.56 | 2.61 | 5.13 | 4.10 | 3.19 | 8.74 | 6.50 | 3.80 | 10.58 | 8.98 | 4.78 |
| | | | | Sensible | 2.20 | 1.62 | 1.39 | 3.09 | 2.37 | 1.71 | 3.68 | 2.87 | 2.26 | 5.84 | 4.33 | 2.58 | 7.10 | 5.88 | 3.19 |
| | | 5 | 9 | Total | 2.13 | 1.59 | 1.41 | 3.84 | 2.90 | 2.16 | 3.28 | 2.60 | 1.89 | 7.06 | 5.11 | 2.53 | 8.79 | 7.47 | 3.40 |
| | | | | Sensible | 1.92 | 1.42 | 1.20 | 2.76 | 2.07 | 1.50 | 2.84 | 2.21 | 1.69 | 5.12 | 3.74 | 2.05 | 6.33 | 5.23 | 2.62 |
| 7 | | 3 | Total | 3.79 | 2.87 | 2.48 | 5.06 | 3.99 | 2.98 | 6.47 | 5.21 | 4.25 | 10.02 | 7.62 | 4.82 | 12.02 | 10.08 | 5.78 | |
| | | | Sensible | 2.55 | 1.89 | 1.61 | 3.30 | 2.55 | 1.87 | 4.25 | 3.35 | 2.71 | 6.37 | 4.80 | 3.02 | 7.70 | 6.34 | 3.61 | |
| 7 | | 5 | Total | 3.08 | 2.32 | 2.02 | 4.46 | 3.50 | 2.62 | 5.42 | 4.35 | 3.50 | 8.66 | 6.56 | 4.03 | 10.45 | 8.82 | 4.92 | |
| | | | Sensible | 2.27 | 1.67 | 1.43 | 3.05 | 2.35 | 1.71 | 3.82 | 2.99 | 2.39 | 5.81 | 4.35 | 2.68 | 7.05 | 5.80 | 3.25 | |
| 7 | | 7 | Total | 2.22 | 1.69 | 1.51 | 3.82 | 2.95 | 2.17 | 4.09 | 3.25 | 2.43 | 7.23 | 5.34 | 2.94 | 8.83 | 7.49 | 3.88 | |
| | | | Sensible | 1.95 | 1.44 | 1.23 | 2.76 | 2.10 | 1.51 | 3.24 | 2.52 | 1.93 | 5.20 | 3.84 | 2.23 | 6.36 | 5.25 | 2.82 | |
| 7 | | 9 | Total | 1.72 | 1.30 | 1.17 | 2.98 | 2.25 | 1.67 | 2.36 | 1.88 | 1.44 | 5.44 | 3.74 | 1.91 | 6.87 | 5.87 | 2.56 | |
| | | | Sensible | 1.68 | 1.25 | 1.09 | 2.38 | 1.79 | 1.30 | 2.32 | 1.83 | 1.41 | 4.46 | 3.15 | 1.72 | 5.55 | 4.57 | 2.21 | |
| 9 | | 3 | Total | 3.17 | 2.41 | 2.08 | 4.30 | 3.40 | 2.55 | 5.46 | 4.40 | 3.60 | 8.53 | 6.49 | 4.11 | 10.23 | 8.61 | 4.92 | |
| | | | Sensible | 2.30 | 1.71 | 1.45 | 2.99 | 2.31 | 1.68 | 3.84 | 3.01 | 2.44 | 5.75 | 4.32 | 2.71 | 6.95 | 5.71 | 3.25 | |
| 9 | | 5 | Total | 2.41 | 1.82 | 1.60 | 3.71 | 2.91 | 2.17 | 4.40 | 3.53 | 2.81 | 7.16 | 5.41 | 3.27 | 8.66 | 7.32 | 4.02 | |
| | | | Sensible | 2.02 | 1.49 | 1.26 | 2.73 | 2.10 | 1.52 | 3.39 | 2.64 | 2.11 | 5.18 | 3.87 | 2.36 | 6.30 | 5.18 | 2.88 | |
| 9 | | 7 | Total | 1.80 | 1.36 | 1.20 | 3.05 | 2.29 | 1.71 | 3.00 | 2.28 | 1.71 | 5.63 | 4.10 | 2.17 | 6.96 | 5.91 | 2.83 | |
| | | | Sensible | 1.74 | 1.29 | 1.11 | 2.43 | 1.82 | 1.32 | 2.74 | 2.07 | 1.60 | 4.55 | 3.34 | 1.88 | 5.60 | 4.60 | 2.37 | |
| 9 | | 9 | Total | 1.47 | 1.10 | 0.98 | 2.19 | 1.62 | 1.19 | 1.83 | 1.46 | 1.16 | 4.02 | 2.74 | 1.46 | 5.19 | 4.43 | 1.91 | |
| | | | Sensible | 1.47 | 1.10 | 0.98 | 1.99 | 1.48 | 1.08 | 1.83 | 1.46 | 1.16 | 3.73 | 2.57 | 1.43 | 4.75 | 3.94 | 1.82 | |
| 11 | | 3 | Total | 2.52 | 1.92 | 1.67 | 3.52 | 2.79 | 2.09 | 4.44 | 3.59 | 2.92 | 6.96 | 5.29 | 3.34 | 8.36 | 7.06 | 4.01 | |
| | | | Sensible | 2.06 | 1.52 | 1.29 | 2.66 | 2.06 | 1.49 | 3.42 | 2.68 | 2.16 | 5.12 | 3.83 | 2.40 | 6.20 | 5.08 | 2.88 | |
| 11 | | 5 | Total | 1.87 | 1.40 | 1.22 | 2.95 | 2.30 | 1.70 | 3.36 | 2.68 | 2.10 | 5.64 | 4.19 | 2.46 | 6.82 | 5.81 | 3.08 | |
| | | | Sensible | 1.79 | 1.32 | | | | | | | | | | | | | | |

Heating capacities in kW, four-pipe coil

| EAT | EWT | Δt K | Size | 200 | | | 300 | | | 400 | | | 600 | | | 701 | | | |
|-----|-----|---------|-------|----------|------|------|------|------|------|-------|------|------|-------|-------|------|-------|-------|------|------|
| | | | | Speed N° | 1 | 2 | 3 | 1 | 2 | 3 | 1 | 2 | 3 | 1 | 2 | 3 | 1 | 2 | 3 |
| EAT | EWT | Δt K | Size | 209 | | | 309 | | | 409 | | | 609 | | | 709 | | | |
| | | | | Ctrl V | 10 | 6 | 2 | 10 | 6 | 2 | 10 | 6 | 2 | 10 | 6 | 2 | 10 | 6 | 2 |
| 19 | 50 | 5 | Total | 1.21 | 0.92 | 0.79 | 4.10 | 3.28 | 2.31 | 4.39 | 3.73 | 3.21 | 7.33 | 5.67 | 3.82 | 9.24 | 7.32 | 4.64 | |
| | | | Total | 1.01 | 0.77 | 0.67 | 2.79 | 2.24 | 1.51 | 2.87 | 2.57 | 2.21 | 5.89 | 4.58 | 3.13 | 7.55 | 6.01 | 3.88 | |
| | 60 | 5 | Total | 1.67 | 1.26 | 1.08 | 5.89 | 4.67 | 3.26 | 6.36 | 5.34 | 4.56 | 10.22 | 7.87 | 5.26 | 12.86 | 10.16 | 6.39 | |
| | | | Total | 1.48 | 1.13 | 0.97 | 4.72 | 3.83 | 2.68 | 4.99 | 4.33 | 3.75 | 8.86 | 6.89 | 4.66 | 11.21 | 8.91 | 5.71 | |
| | 70 | 5 | Total | 2.13 | 1.61 | 1.38 | 7.69 | 6.06 | 4.22 | 8.35 | 6.96 | 5.91 | 13.11 | 10.07 | 6.70 | 16.47 | 13.00 | 8.13 | |
| | | | Total | 1.95 | 1.47 | 1.27 | 6.54 | 5.24 | 3.69 | 6.99 | 5.96 | 5.13 | 11.78 | 9.12 | 6.14 | 14.87 | 11.78 | 7.48 | |
| | 80 | 5 | Total | 2.60 | 1.96 | 1.68 | 9.49 | 7.45 | 5.17 | 10.34 | 8.58 | 7.27 | 16.00 | 12.27 | 8.14 | 20.09 | 15.84 | 9.86 | |
| | | | Total | 2.41 | 1.82 | 1.57 | 8.36 | 6.65 | 4.66 | 8.99 | 7.60 | 6.51 | 14.70 | 11.34 | 7.60 | 18.52 | 14.65 | 9.23 | |
| | 20 | 50 | 5 | Total | 1.16 | 0.88 | 0.76 | 3.93 | 3.14 | 2.21 | 4.20 | 3.58 | 3.08 | 7.05 | 5.45 | 3.67 | 8.89 | 7.04 | 4.47 |
| | | | | Total | 0.97 | 0.74 | 0.64 | 2.61 | 2.08 | 1.42 | 2.68 | 2.38 | 2.05 | 5.60 | 4.35 | 2.98 | 7.20 | 5.72 | 3.70 |
| 60 | | 5 | Total | 1.63 | 1.23 | 1.05 | 5.72 | 4.53 | 3.17 | 6.17 | 5.19 | 4.43 | 9.93 | 7.65 | 5.12 | 12.50 | 9.88 | 6.21 | |
| | | | Total | 1.44 | 1.09 | 0.94 | 4.56 | 3.69 | 2.58 | 4.81 | 4.18 | 3.61 | 8.58 | 6.68 | 4.52 | 10.86 | 8.63 | 5.54 | |
| 70 | | 5 | Total | 2.09 | 1.58 | 1.35 | 7.52 | 5.92 | 4.12 | 8.16 | 6.80 | 5.78 | 12.82 | 9.85 | 6.56 | 16.11 | 12.72 | 7.95 | |
| | | | Total | 1.90 | 1.44 | 1.24 | 6.37 | 5.10 | 3.60 | 6.80 | 5.80 | 5.00 | 11.50 | 8.90 | 6.00 | 14.51 | 11.50 | 7.30 | |
| 80 | | 5 | Total | 2.55 | 1.92 | 1.65 | 9.32 | 7.31 | 5.08 | 10.15 | 8.42 | 7.14 | 15.71 | 12.05 | 8.00 | 19.73 | 15.55 | 6.69 | |
| | | | Total | 2.37 | 1.79 | 1.54 | 8.19 | 6.52 | 4.57 | 8.81 | 7.44 | 6.37 | 14.42 | 11.12 | 7.45 | 18.16 | 14.36 | 9.05 | |
| 21 | | 50 | 5 | Total | 1.12 | 0.85 | 0.73 | 3.75 | 3.01 | 2.12 | 4.02 | 3.42 | 2.95 | 6.76 | 5.24 | 3.53 | 8.53 | 6.76 | 4.30 |
| | | | | Total | 0.92 | 0.71 | 0.61 | 2.40 | 1.92 | 1.34 | 2.45 | 2.19 | 1.89 | 5.30 | 4.13 | 2.83 | 6.84 | 5.43 | 3.52 |
| | 60 | 5 | Total | 1.58 | 1.19 | 1.03 | 5.54 | 4.40 | 3.07 | 5.98 | 5.03 | 4.30 | 9.65 | 7.43 | 4.97 | 12.14 | 9.60 | 6.04 | |
| | | | Total | 1.39 | 1.06 | 0.91 | 4.39 | 3.55 | 2.48 | 4.63 | 4.03 | 3.48 | 8.30 | 6.46 | 4.37 | 10.50 | 8.35 | 5.36 | |
| | 70 | 5 | Total | 2.04 | 1.54 | 1.32 | 7.34 | 5.79 | 4.03 | 7.96 | 6.65 | 5.65 | 12.54 | 9.63 | 6.41 | 15.75 | 12.43 | 7.77 | |
| | | | Total | 1.86 | 1.41 | 1.21 | 6.20 | 4.97 | 3.51 | 6.62 | 5.65 | 4.87 | 11.22 | 8.68 | 5.86 | 14.15 | 11.22 | 7.13 | |
| | 80 | 5 | Total | 2.50 | 1.89 | 1.62 | 9.14 | 7.18 | 4.98 | 9.96 | 8.26 | 7.00 | 15.42 | 11.83 | 7.85 | 19.37 | 15.27 | 9.51 | |
| | | | Total | 2.32 | 1.76 | 1.51 | 8.01 | 6.38 | 4.47 | 8.62 | 7.29 | 6.24 | 14.13 | 10.90 | 7.31 | 17.80 | 14.08 | 8.88 | |

Legend

EAT Entering air temperature, °C
 EWT Entering water temperature, °C
 ΔT Water temperature rise, °C
 Total Total heating capacity, kW

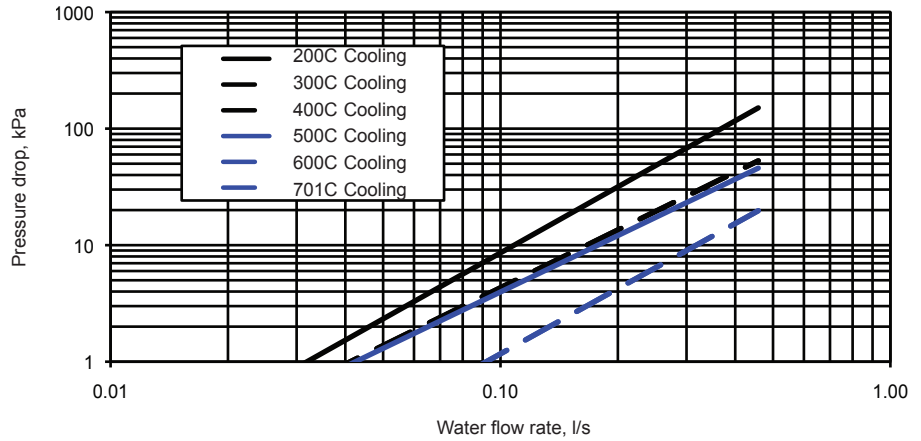
Global sound data

| Internal fan diameter | AC motor speed | EC motor speed (V) | Global sound power levels | | | | | dB(A) | Sound pressure* dB(A) | NR+ dB(A) |
|-----------------------|----------------|--------------------|---------------------------|--------|--------|---------|---------|-------|-----------------------|-----------|
| | | | 125 Hz | 250 Hz | 500 Hz | 1000 Hz | 2000 Hz | | | |
| 42GW200/9C | 1 | 10 | 48.0 | 49.0 | 47.0 | 41.0 | 33.0 | 47.0 | 38.0 | 33.0 |
| | 2 | 6 | 40.0 | 41.0 | 37.0 | 28.0 | 21.0 | 37.0 | 28.0 | 23.0 |
| | 3 | 2 | 36.0 | 34.0 | 33.0 | 21.0 | 17.0 | 32.0 | 23.0 | 18.0 |
| 42GW300/9C | 1 | 10 | 54.0 | 53.0 | 52.0 | 47.0 | 39.0 | 52.0 | 43.0 | 38.0 |
| | 2 | 6 | 45.0 | 46.0 | 44.0 | 37.0 | 30.0 | 44.0 | 35.0 | 30.0 |
| | 3 | 2 | 35.0 | 35.0 | 30.0 | 24.0 | 23.0 | 32.0 | 23.0 | 18.0 |
| 42GW400/9C | 1 | 10 | 60.0 | 56.0 | 56.0 | 52.0 | 44.0 | 57.0 | 48.0 | 43.0 |
| | 2 | 6 | 52.0 | 50.0 | 48.0 | 42.0 | 34.0 | 48.0 | 39.0 | 34.0 |
| | 3 | 2 | 46.0 | 44.0 | 42.0 | 35.0 | 28.0 | 42.0 | 33.0 | 28.0 |
| 42GW500/9C | 1 | 10 | 50.0 | 51.0 | 46.0 | 40.0 | 31.0 | 47.0 | 38.0 | 33.0 |
| | 2 | 6 | 44.0 | 44.0 | 39.0 | 33.0 | 24.0 | 40.0 | 31.0 | 26.0 |
| | 3 | 2 | 40.0 | 38.0 | 32.0 | 27.0 | 21.0 | 34.0 | 25.0 | 20.0 |
| 42GW600/9C | 1 | 10 | 55.0 | 57.0 | 52.0 | 47.0 | 40.0 | 53.0 | 44.0 | 39.0 |
| | 2 | 6 | 49.0 | 50.0 | 45.0 | 39.0 | 32.0 | 46.0 | 37.0 | 32.0 |
| | 3 | 2 | 46.0 | 41.0 | 34.0 | 29.0 | 27.0 | 37.0 | 28.0 | 23.0 |
| 42GW701C | 1 | | 63.0 | 61.0 | 58.0 | 53.0 | 47.0 | 59.0 | 50.0 | 45.0 |
| | 2 | | 55.0 | 56.0 | 51.0 | 45.0 | 38.0 | 52.0 | 43.0 | 38.0 |
| | 3 | | 47.0 | 44.0 | 38.0 | 31.0 | 28.0 | 40.0 | 31.0 | 26.0 |
| 42GW709C | 10 | | 61.0 | 63.0 | 60.0 | 55.0 | 49.0 | 61.0 | 52.0 | 47.0 |
| | 6 | | 55.0 | 56.0 | 51.0 | 45.0 | 38.0 | 52.0 | 43.0 | 38.0 |
| | 2 | | 47.0 | 44.0 | 38.0 | 31.0 | 28.0 | 40.0 | 31.0 | 26.0 |
| 42GW200/9D | 1 | 10 | 48.0 | 49.0 | 47.0 | 41.0 | 33.0 | 47.0 | 38.0 | 33.0 |
| | 2 | 6 | 40.0 | 41.0 | 37.0 | 28.0 | 21.0 | 37.0 | 28.0 | 23.0 |
| | 3 | 2 | 36.0 | 34.0 | 33.0 | 21.0 | 17.0 | 32.0 | 23.0 | 18.0 |
| 42GW300/9D | 1 | 10 | 57.0 | 53.0 | 53.0 | 49.0 | 43.0 | 54.0 | 45.0 | 40.0 |
| | 2 | 6 | 46.0 | 47.0 | 45.0 | 39.0 | 29.0 | 45.0 | 36.0 | 31.0 |
| | 3 | 2 | 39.0 | 37.0 | 32.0 | 24.0 | 18.0 | 33.0 | 24.0 | 19.0 |
| 42GW400/9D | 1 | 10 | 59.0 | 56.0 | 56.0 | 52.0 | 47.0 | 57.0 | 48.0 | 43.0 |
| | 2 | 6 | 50.0 | 49.0 | 48.0 | 42.0 | 36.0 | 48.0 | 39.0 | 34.0 |
| | 3 | 2 | 44.0 | 44.0 | 42.0 | 35.0 | 26.0 | 42.0 | 33.0 | 28.0 |
| 42GW600/9D | 1 | 10 | 55.0 | 57.0 | 52.0 | 47.0 | 40.0 | 53.0 | 44.0 | 39.0 |
| | 2 | 6 | 49.0 | 50.0 | 45.0 | 39.0 | 32.0 | 46.0 | 37.0 | 32.0 |
| | 3 | 2 | 46.0 | 41.0 | 34.0 | 29.0 | 27.0 | 37.0 | 28.0 | 23.0 |
| 42GW701D | 1 | | 63.0 | 61.0 | 58.0 | 53.0 | 47.0 | 59.0 | 50.0 | 45.0 |
| | 2 | | 55.0 | 56.0 | 51.0 | 45.0 | 38.0 | 52.0 | 43.0 | 38.0 |
| | 3 | | 47.0 | 44.0 | 38.0 | 31.0 | 28.0 | 40.0 | 31.0 | 26.0 |
| 42GW709D | 10 | | 63.0 | 61.0 | 58.0 | 53.0 | 47.0 | 59.0 | 50.0 | 45.0 |
| | 6 | | 55.0 | 56.0 | 51.0 | 45.0 | 38.0 | 52.0 | 43.0 | 38.0 |
| | 2 | | 47.0 | 44.0 | 38.0 | 31.0 | 28.0 | 40.0 | 31.0 | 26.0 |

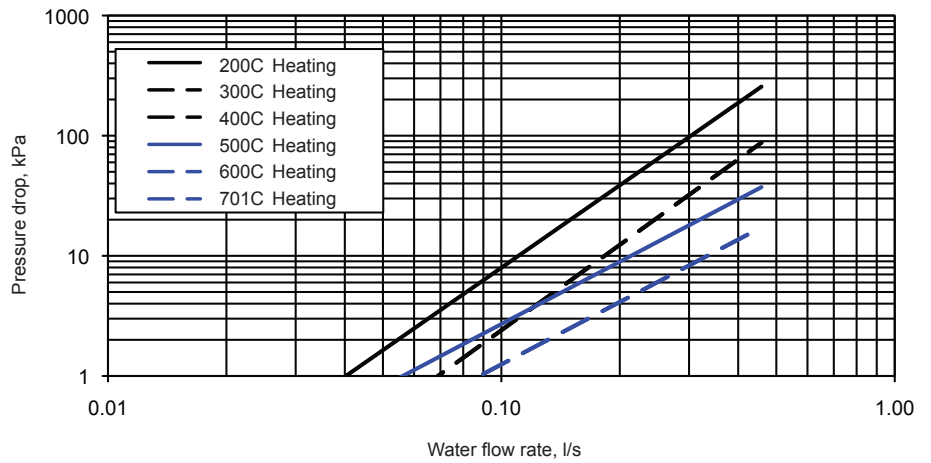
*Sound pressure level and NR values are based on a hypothetical sound attenuation for the room of -9 dB(A).

Coil pressure drops

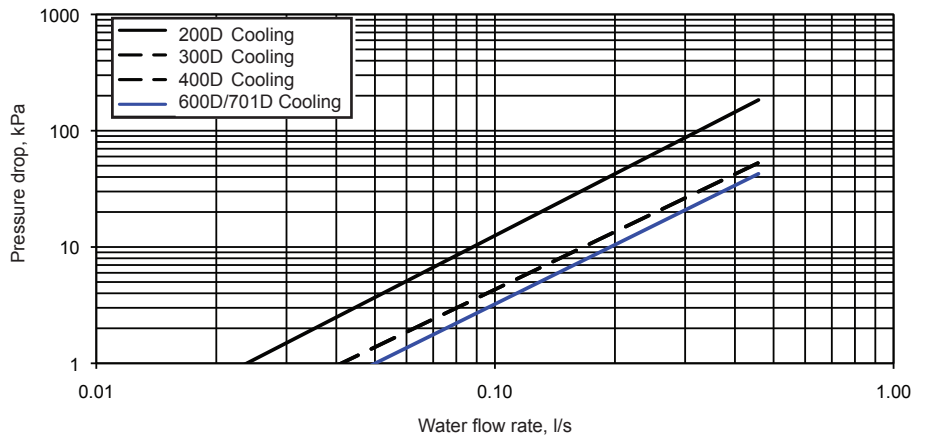
Two-pipe units, cooling



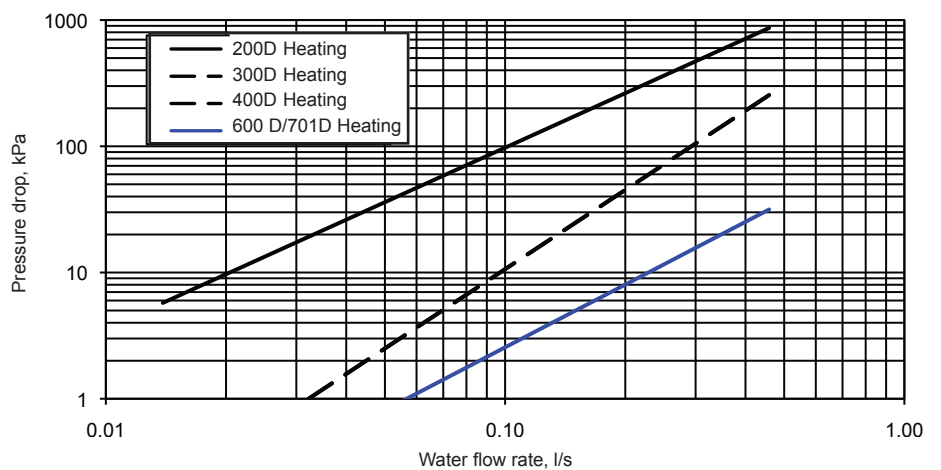
Two-pipe units, heating



Four-pipe units, cooling



Four-pipe units, heating



Coil water content

| 42GW | 200/209 | 300/309 | 400/409 | 500/509 | 600/609 | 701/709 |
|---------------|---------|---------|---------|---------|---------|---------|
| Water content | 0.55 | 1.1 | 1.1 | 1.6 | 2.4 | 2.4 |

Air throw, m

| 42GW | Louvres all open | | | One louver closed | | | Two louvres closed | | |
|---------|------------------|--------------|-----------|-------------------|--------------|-----------|--------------------|--------------|-----------|
| | High speed | Medium speed | Low speed | High speed | Medium speed | Low speed | High speed | Medium speed | Low speed |
| 200/209 | 3.8 | 3.2 | 2.7 | 4.3 | 3.7 | 3.0 | 4.8 | 4.1 | 3.4 |
| 300/309 | 4.0 | 3.4 | 2.8 | 4.5 | 3.8 | 3.2 | 5.0 | 4.3 | 3.5 |
| 400/409 | 4.8 | 4.1 | 3.4 | 5.3 | 4.5 | 3.7 | 5.8 | 4.9 | 4.1 |
| 500/509 | 3.0 | 2.6 | 2.1 | 3.5 | 3.0 | 2.5 | 4.0 | 3.4 | 2.8 |
| 600/609 | 3.4 | 2.9 | 2.4 | 3.9 | 3.3 | 2.7 | 4.4 | 3.7 | 3.1 |
| 701/709 | 4.3 | 3.7 | 3.0 | 4.8 | 4.1 | 3.4 | 5.3 | 4.5 | 3.7 |

Notes:

1. The louvres were adjusted to use the Coanda effect to obtain an air flow pattern that adheres as closely as possible and parallel to the ceiling.
2. The air throw is defined as the distance at which air flow speed falls to 0.2 m/s, when the air flow leaves the unit parallel to the ceiling.
3. The values are to be considered as indicative, as they may vary according to the type of ceiling, room dimensions and even the furniture used.

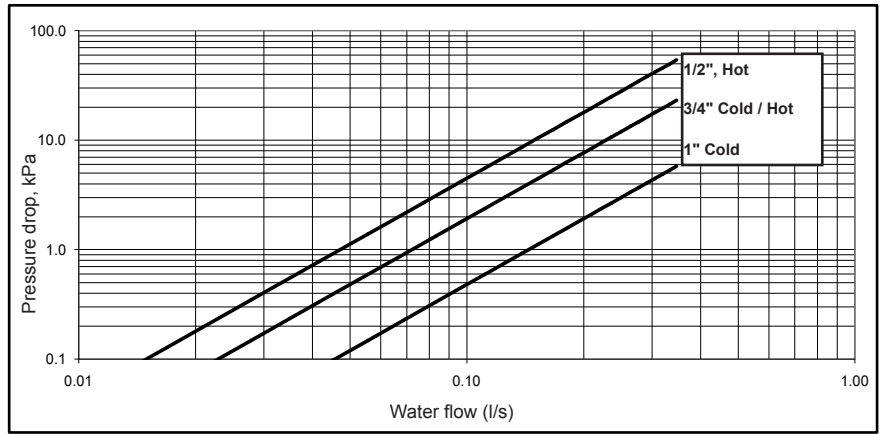
Operating limits

| | | |
|--------------------|--|---|
| Water circuit | Maximum water-side pressure: 1400 kPa (142 m WG) | Minimum entering water temperature: 2°C Maximum entering water temperature: 80°C |
| Indoor temperature | | Minimum temperature: 5°C Maximum temperature: 32°C for units with electric heaters |
| Power supply | Nominal operating limits | 230 V - 1 ph - 50 Hz Min.207 - Max 253 V for units without electric heaters Min.216 - Max 244 V for units with electric heaters |

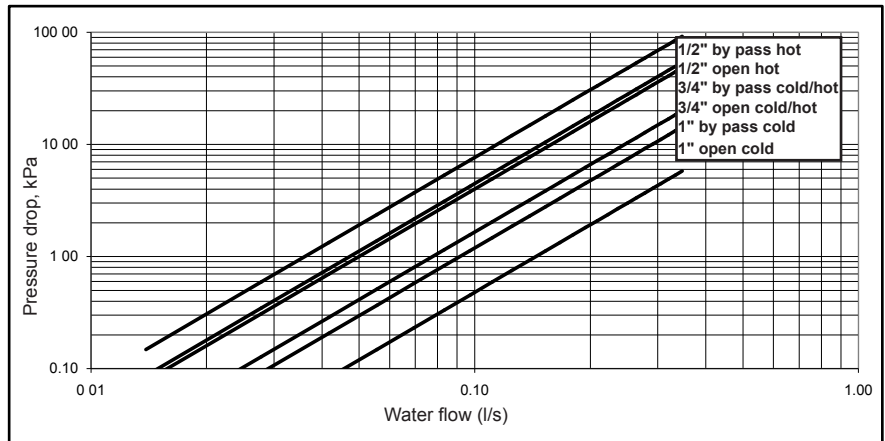
Valve kit

| Valve kit | 42GW 9029 | 42GW 9031 | 42GW 9030 | 42GW 9032 | 42GW 9033 | 42GW 9035 | 42GW 9034 | 42GW 9036 |
|--------------------------|------------|------------|----------------------|--------------------|------------|------------|----------------------|--------------------|
| Unit option (10th digit) | H - 4 ways | H - 4 ways | H - 4 ways | H - 4 ways | G - 2 ways | G - 2 ways | G - 2 ways | G - 2 ways |
| Description | 3/4" cold | 1" cold | 3/4" cold + 1/2" hot | 1" cold + 3/4" hot | 3/4" cold | 1" cold | 3/4" cold + 1/2" hot | 1" cold + 3/4" hot |
| Valve pitch, mm | 40 | 73 | 40/40 | 73/40 | 40 | 73 | 40/40 | 73/40 |
| Valve face | Flat | Flat | Flat | Flat | Flat | Flat | Flat | Flat |
| 2 pipes | | | | | | | | |
| 200C, 300C, 400C | x | | | | x | | | |
| 209C, 309C, 409C | x | | | | x | | | |
| 500C, 600C, 701C | | x | | | | x | | |
| 509C, 609C, 709C | | x | | | | x | | |
| 4 pipes | | | | | | | | |
| 200D, 300D, 400D | | | x | | | | x | |
| 209D, 309D, 409D | | | x | | | | x | |
| 600D, 701D | | | | x | | | | x |
| 609D, 709D | | | | x | | | | x |

2-way valve pressure drop



3-way valve pressure drop





Order No.: 14202-20, 10.2013 Supersedes order No.: 14202-20, 01.2013
Manufacturer reserves the right to change any product specifications without notice.



Manufactured by: Carrier SpA, Villasanta, Italy
Printed in the European Union