

NTC.TEMP.SNR VR

1-2-1205-0007

1. Technical data

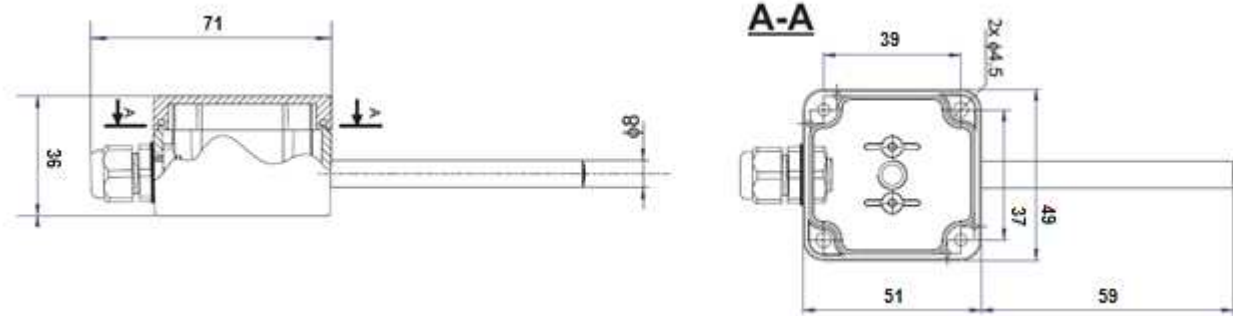


- Dimensions: 36x49x71 mm (w/o a probe)
- Probe length: 59 mm
- Probe diameter: 8 mm
- Sensor type: NTC 10k
- IP: 66
- Work temperature: -20 – 70 °C
- Storage temperature: -20 – 70 °C

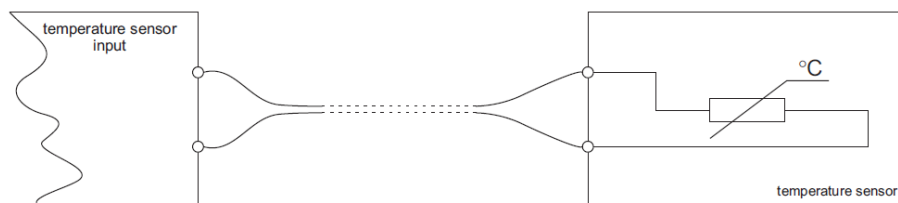
2. Description

Duct temperature sensor with NTC 10kΩ sensor.
 Sensor class: B Temperature coefficient: : 3550 K
 Maximum current: 1 mA
 Maximum wire diameter: 1,5 mm²

3. Technical drawing



4. Connection



5. Assembly

